

Profile Systems

Aluminum profiles ALHP

FEZER

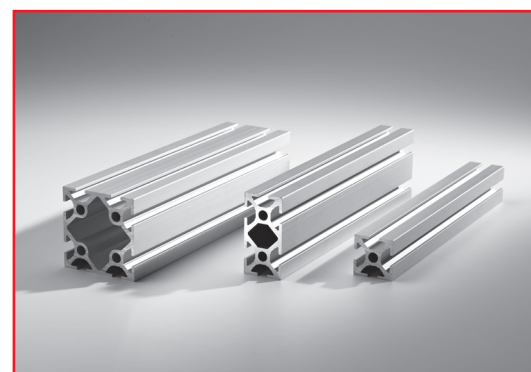
Simply move more.

Description

Stable and robust AL profiles for the design of individual suction frames which are flanged onto any type of hoisting gear. The AL profiles are available for sizes 40mm and 50mm. The profiles of the 50 series can be bolted together with vacuum-dense flange plates and thus be used as safety tanks.

Application

- design of suction frames and load lifting devices
- connected to suction pads by suspension bolts and appropriate holders



ALHP-40x40 ... ALHP 100x100

Article number

Type	metre pieces
ALHP-40x40	6.11.3.0119
ALHP-40x80	6.11.3.0117
ALHP-80x80	6.11.3.0116
ALHP-50x50	6.11.3.0148
ALPH-50x100	6.11.3.0138
ALPH100x100	6.11.3.0103

Technical data

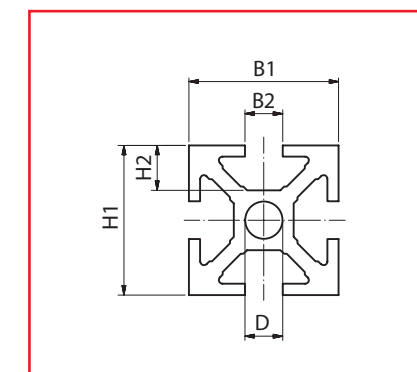
Type	Material	Area A (cm ²)	Area moment		Resistance moment		Weight (kg)
			I _x (cm ⁴)	I _y (cm ⁴)	W _x (cm ³)	W _y (cm ³)	
ALHP-40x40	AlMgSi 0,5 F25	7,42	12,13	12,13	6,06	6,06	2,00
ALHP-40x80	AlMgSi 0,5 F25	13,40	83,26	83,26	22,62	20,84	3,62
ALHP-80x80	AlMgSi 0,5 F25	17,60	149,64	149,64	31,94	31,94	4,75
ALHP-50x50	AlMgSi 0,5 F25	10,84	29,90	29,90	11,96	11,96	2,85
ALPH-50x100	AlMgSi 0,5 F25	18,06	199,96	55,38	39,99	22,15	4,87
ALPH100x100	AlMgSi 0,5 F25	26,55	334,80	334,80	66,96	66,96	7,00

Profile Systems

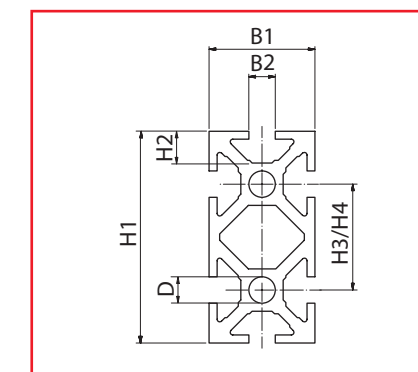
Aluminum profiles ALHP

FEZER

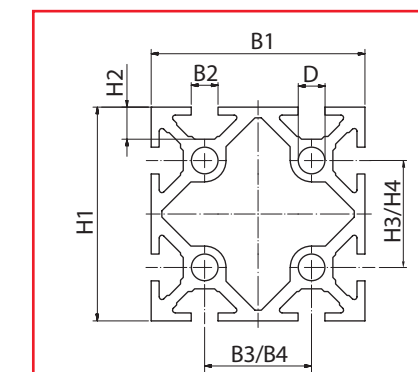
Simply move more.



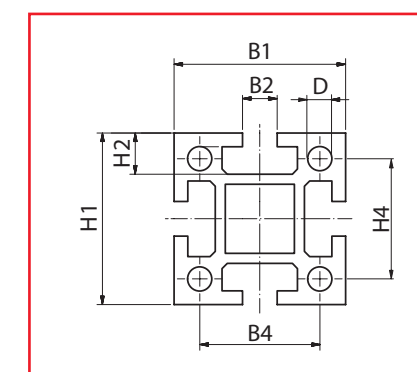
ALHP-40x40



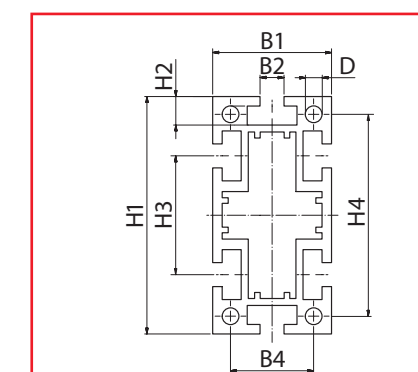
ALHP-40x80



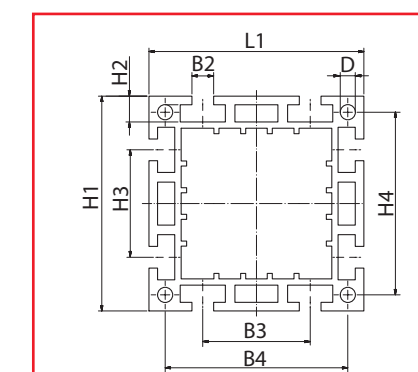
ALHP-80x80



ALHP-50x50



ALHP-50x100



ALHP-100x100

Dimensions

Type	B1	B2	B3	B4	H1	H2	H3	H4	D
ALHP-40x40	40	10,1	---	---	40	12	---	---	10
ALHP-40x80	40	10,1	---	---	80	12	40	40	10
ALHP-80x80	80	10,1	40	40	80	12	40	40	10
ALHP-50x50	50	10,1	---	35	50	12	---	35	7
ALPH-50x100	50	10,1	---	35	100	12	50	85	7
ALPH100x100	100	10,1	50	85	100	12	50	85	7