

Suspension Bolt

with bushing and turn-proof FSBE-DG

FEZER
Simply move more.

Description

Turn-proof suspension bolt made of high-quality aluminum with internal vacuum feed and lower dampening spring. The bolt is hard-coated with a high longevity. There are various holders for the installation of the suspension bolt. The bolt is sealed with an o-ring against the suction pad retainers.

Application

- applications with high cycle rates
- soft touch-down on workpieces
- use of oval suction plates
- height adjustment via outer thread of the bushing



FSBE-DG-M8x1- ... FSBE-DG-M20x1,5-

Article number

Type	Bolt stroke 25 mm	Bolt stroke 50 mm	Bolt stroke 75 mm
FSBE-DG-M8x1	1.34.2.0072	---	---
FSBE-DG-M12x1	1.34.2.0065	1.34.2.0066	---
FSBE-DG-M16x1,5	---	1.34.2.0060	1.34.2.0061
FSBE-DG-M20x1,5	---	1.34.2.0067	1.34.2.0068

Technical data

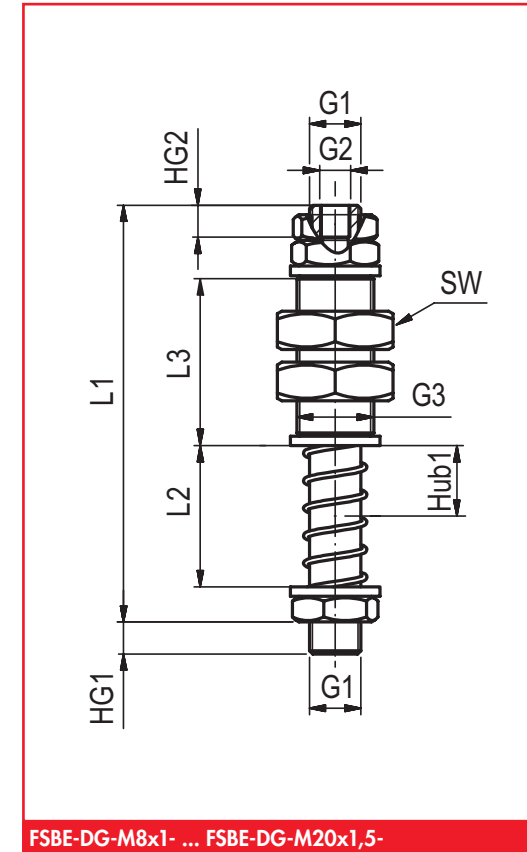
Type	Bolt stroke (mm)	Spring rate (N/mm)	Spring force max. (N)*	Tensile load max. (N)	Bending mom. max. (Nm)	Volume (l)	Temperature (°C)	Weight (kg)
FSBE-DG-M8x1-25	25	2,268	57,2	200	4	0,004	-10 ... +60	0,10
FSBE-DG-M12x1-25	25	2,545	63,6	800	10	0,006	-10 ... +60	0,17
FSBE-DG-M12x1-50	50	1,647	82,3	800	10	0,009	-10 ... +60	0,18
FSBE-DG-M16x1,5-50	50	1,944	97,2	1.200	25	0,011	-10 ... +60	0,31
FSBE-DG-M16x1,5-75	75	1,512	113,4	1.200	25	0,013	-10 ... +60	0,32
FSBE-DG-M20x1,5-50	50	3,977	198,8	2.500	50	0,009	-10 ... +60	0,56
FSBE-DG-M20x1,5-75	75	2,574	193,0	2.500	50	0,011	-10 ... +60	0,59

* lower spring force at 50% of bolt stroke

Suspension bolt

with bushing and turn-proof FSBE-DG

FEZER
Simply move more.



FSBE-DG-M8x1- ... FSBE-DG-M20x1,5-

Dimensions

Type	L1	L2	L3	Hub1	G1	G2	G3	HG1	HG2	SW
FSBE-DG-M8x1-25	120	46,5	50	25	M8x1	M5	M16x1,5	10,5	10	19
FSBE-DG-M12x1-25	130	51	50	50	M12x1	M5	M20x1,5	10,5	10	24
FSBE-DG-M12x1-50	155	75	50	75	M12x1	M5	M20x1,5	10,5	10	24
FSBE-DG-M16x1,5-50	185	84	60	25	M16x1,5	G1/8	M24x1,5	10,5	15	32
FSBE-DG-M16x1,5-75	215	114	60	50	M16x1,5	G1/8	M24x1,5	10,5	15	32
FSBE-DG-M20x1,5-50	175	74	60	75	M20x1,5	G1/4	M30x1,5	10,5	15	36
FSBE-DG-M20x1,5-75	215	113,5	60	25	M20x1,5	G1/4	M30x1,5	10,5	15	36