

Suspension Bolt

with cross clamping piece FSKB

FEZER
Simply move more.

Description

Robust suspension bolt with upper and lower dampening spring. The bolt consists of a galvanized precision steel tube with inner vacuum feed. The cross clamping piece is made of high-quality aluminum with excellent sliding characteristics for profiles 30x30 and 40x40. The bolt is sealed with an o-ring against the suction pad retainers.

Application

- use on closed frame constructions
- application with high cycle rates
- soft touch-down on workpieces
- workpieces with uneven surfaces (load compensation)



FSKB-M12 ... FSKB-M20

Article number

Type	Bolt stroke 25 mm	Bolt stroke 50 mm	Bolt stroke 75 mm
FSKB-30-M12x1-M5	1.34.3.0055	1.34.3.0056	1.34.3.0057
FSKB-30-M16x1,5-1/8	1.34.3.0052	1.34.3.0053	1.34.3.0054
FSKB-40-M16x1,5-1/8	1.34.3.0038	1.34.3.0050	1.34.3.0051
FSKB-40-M20x1,5-1/4	1.34.3.0058	1.34.3.0059	1.34.3.0060

Technical data

Type	Bolt stroke (mm)	Spring rate (N/mm)	Spring force max. (N)*	Tensile load max. (N)**	Bending mom. max. (Nm)	Volume (l)	Temperature (°C)	Weight (kg)
FSKB-30-M12x1-M5-25	25	2,545	31,8	350	20	0,006	0 ... +80	0,34
FSKB-30-M12x1-M5-50	50	1,647	41,2	350	20	0,007	0 ... +80	0,38
FSKB-30-M12x1-M5-75	75	1,120	42,0	350	20	0,008	0 ... +80	0,40
FSKB-30-M16x1,5-1/8-25	25	3,711	46,4	1.250	50	0,012	0 ... +80	0,52
FSKB-30-M16x1,5-1/8-50	50	1,944	48,6	1.250	50	0,014	0 ... +80	0,57
FSKB-30-M16x1,5-1/8-75	75	1,512	56,7	1.250	50	0,016	0 ... +80	0,60
FSKB-40-M16x1,5-1/8-25	25	3,711	46,4	1.250	50	0,012	0 ... +80	0,56
FSKB-40-M16x1,5-1/8-50	50	1,944	48,6	1.250	50	0,014	0 ... +80	0,61
FSKB-40-M16x1,5-1/8-75	75	1,512	56,7	1.250	50	0,016	0 ... +80	0,64
FSKB-40-M20x1,5-1/4-25	25	6,250	78,1	3.500	100	0,022	0 ... +80	0,80
FSKB-40-M20x1,5-1/4-50	50	3,977	99,4	3.500	100	0,025	0 ... +80	0,85
FSKB-40-M20x1,5-1/4-75	75	2,574	96,4	3.500	100	0,028	0 ... +80	0,92

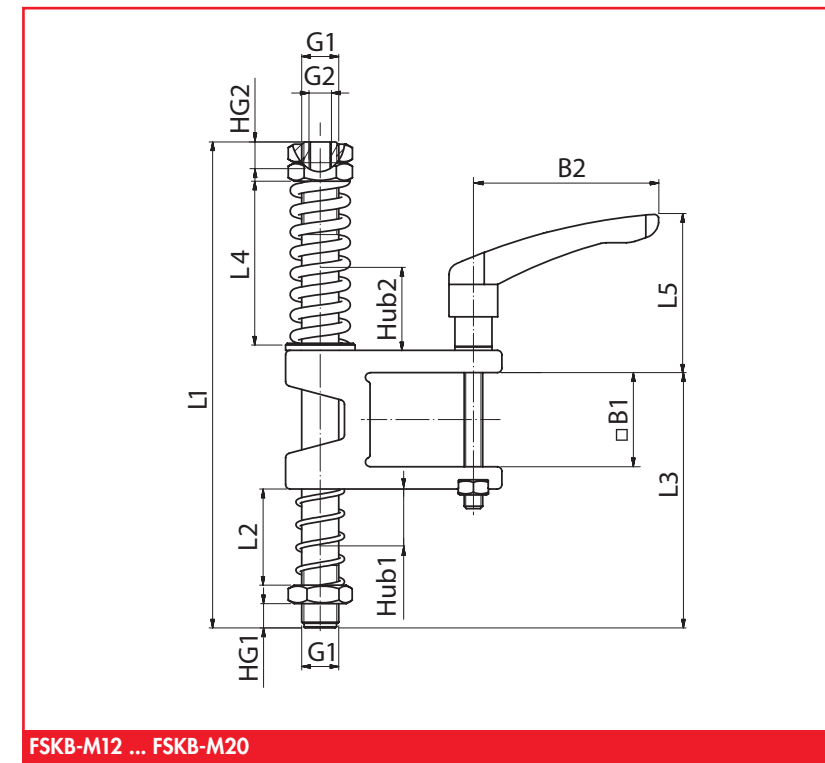
* lower spring force at 50% of bolt stroke

** Tensile load relates to 50% stroke of upper pressure spring. Mounted suction pads must not exceed these capacities.

Suspension Bolt

with cross clamping piece FSKB

FEZER
Simply move more.



FSKB-M12 ... FSKB-M20

Dimensions

Type	L1	L2	L3	L4	L5	B1	B2	Hub1	Hub2	G1	G2	HG1	HG2
FSKB-30-M12x1-M5-25	165	47	72	41	69	30,5	80	25	20	M12x1	M5	10,5	10
FSKB-30-M12x1-M5-50	190	72	97	41	69	30,5	80	50	20	M12x1	M5	10,5	10
FSKB-30-M12x1-M5-75	230	110	136	41	69	30,5	80	75	20	M12x1	M5	10,5	10
FSKB-30-M16x1,5-1/8-25	210	45	73	70	69	30,5	80	25	20	M16x1,5	G1/8	10,5	15
FSKB-30-M16x1,5-1/8-50	250	85	113	70	69	30,5	80	50	20	M16x1,5	G1/8	10,5	15
FSKB-30-M16x1,5-1/8-75	280	115	143	70	69	30,5	80	75	20	M16x1,5	G1/8	10,5	15
FSKB-40-M16x1,5-1/8-25	210	41	110	70	69	40,5	80	25	24	M16x1,5	G1/8	10,5	15
FSKB-40-M16x1,5-1/8-50	250	81	149	70	69	40,5	80	50	24	M16x1,5	G1/8	10,5	15
FSKB-40-M16x1,5-1/8-75	280	111	179	70	69	40,5	80	75	24	M16x1,5	G1/8	10,5	15
FSKB-40-M20x1,5-1/4-25	235	49	120	80	69	40,5	80	25	13	M20x1,5	G1/4	10,5	15
FSKB-40-M20x1,5-1/4-50	260	74	145	80	69	40,5	80	50	13	M20x1,5	G1/4	10,5	15
FSKB-40-M20x1,5-1/4-75	300	115	185	80	69	40,5	80	75	13	M20x1,5	G1/4	10,5	15