

## Suspension Bolt

with cross clamping piece FSKE

**FEZER**  
Simply move more.

### Description

Robust suspension bolt with lower dampening spring. The bolt consists of a galvanized precision steel tube with inner vacuum feed. The cross clamping piece is made of high-quality aluminum with excellent sliding characteristics for profiles 30x30 and 40x40. The bolt is sealing with an o-ring against the suction pad retainers.

### Application

- use on closed frame constructions
- applications with high cycle rates
- soft touch-down on workpieces



FSKE-M12x1 ... FSKE-M20x1,5

### Article number

Type	Bolt stroke 25 mm	Bolt stroke 50 mm	Bolt stroke 75 mm
FSKE-30-M12x1-M5	1.34.2.0045	1.34.2.0046	1.34.2.0047
FSKE-30-M16x1,5-1/8	1.34.2.0048	1.34.2.0049	1.34.2.0050
FSKE-40-M16x1,5-1/8	1.34.2.0028	1.34.2.0043	1.34.2.0044
FSKE-40-M20x1,5-1/4	1.34.2.0051	1.34.2.0052	1.34.2.0053

### Technical data

Type	Bolt stroke (mm)	Spring rate (N/mm)	Spr. force max. (N)*	Tensile load max. (N)	Bending mom. max. (Nm)	Volume (l)	Temperature (°C)	Weight (kg)
FSKE-30-M12x1-M5-25	25	2,545	31,8	350	20	0,004	0 ... +80	0,30
FSKE-30-M12x1-M5-50	50	1,647	41,2	350	20	0,005	0 ... +80	0,32
FSKE-30-M12x1-M5-75	75	1,120	42,0	350	20	0,006	0 ... +80	0,35
FSKE-30-M16x1,5-1/8-25	25	3,711	46,4	1.250	50	0,009	0 ... +80	0,38
FSKE-30-M16x1,5-1/8-50	50	1,944	48,6	1.250	50	0,011	0 ... +80	0,43
FSKE-30-M16x1,5-1/8-75	75	1,512	56,7	1.250	50	0,013	0 ... +80	0,46
FSKE-40-M16x1,5-1/8-25	25	3,711	46,4	1.250	50	0,009	0 ... +80	0,42
FSKE-40-M16x1,5-1/8-50	50	1,944	48,6	1.250	50	0,011	0 ... +80	0,46
FSKE-40-M16x1,5-1/8-75	75	1,512	56,7	1.250	50	0,013	0 ... +80	0,49
FSKE-40-M20x1,5-1/4-25	25	6,250	78,1	3.500	100	0,018	0 ... +80	0,60
FSKE-40-M20x1,5-1/4-50	50	3,977	99,4	3.500	100	0,021	0 ... +80	0,65
FSKE-40-M20x1,5-1/4-75	75	2,574	96,4	3.500	100	0,024	0 ... +80	0,73

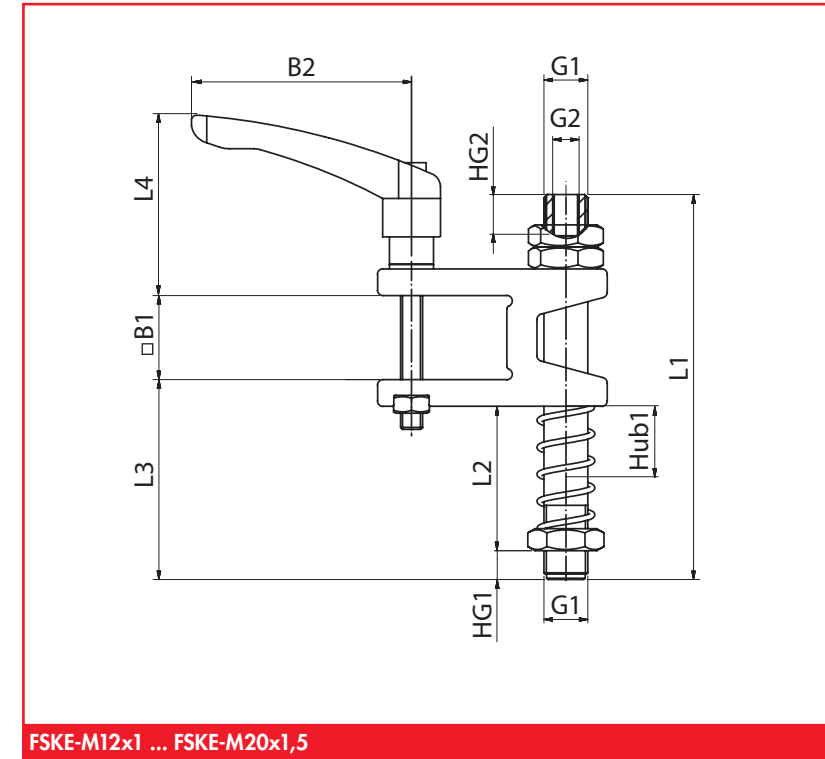
\* lower spring force at 50% of bolt stroke

\*\* Tensile load relates to 50% stroke of the upper pressure spring. Mounted suction pads must not exceed these capacities.

## Suspension Bolt

with cross clamping piece FSKE

**FEZER**  
Simply move more.



FSKE-M12x1 ... FSKE-M20x1,5

### Dimensions

Type	L1	L2	L3	L4	B1	B2	Hub1	G1	G2	HG1	HG2
FSKE-30-M12x1-M5-25	130	51	77	69	30,5	80	25	M12x1	M5	10,5	10
FSKE-30-M12x1-M5-50	155	77	103	69	30,5	80	50	M12x1	M5	10,5	10
FSKE-30-M12x1-M5-75	190	110	136	69	30,5	80	75	M12x1	M5	10,5	10
FSKE-30-M16x1,5-1/8-25	140	45	73	69	30,5	80	25	M16x1,5	G1/8	10,5	15
FSKE-30-M16x1,5-1/8-50	180	85	113	69	30,5	80	50	M16x1,5	G1/8	10,5	15
FSKE-30-M16x1,5-1/8-75	210	115	143	69	30,5	80	75	M16x1,5	G1/8	10,5	15
FSKE-40-M16x1,5-1/8-25	140	44	72	69	40,5	80	25	M16x1,5	G1/8	10,5	15
FSKE-40-M16x1,5-1/8-50	180	83	112	69	40,5	80	50	M16x1,5	G1/8	10,5	15
FSKE-40-M16x1,5-1/8-75	210	113	181	69	40,5	80	75	M16x1,5	G1/8	10,5	15
FSKE-40-M20x1,5-1/4-25	150	48	119	69	40,5	80	25	M20x1,5	G1/4	10,5	15
FSKE-40-M20x1,5-1/4-50	175	73	143	69	40,5	80	50	M20x1,5	G1/4	10,5	15
FSKE-40-M20x1,5-1/4-75	215	113	183	69	40,5	80	75	M20x1,5	G1/4	10,5	15