

## Single Components

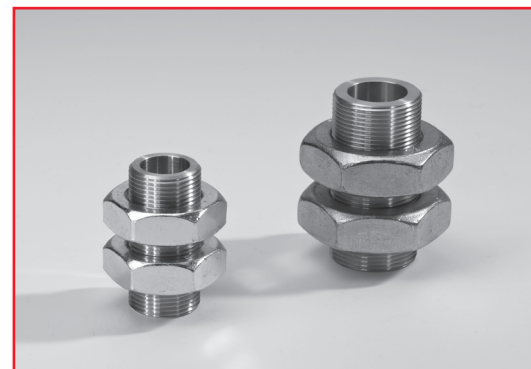
### Slide bushing SBF

#### Description

Robust slide bushing made of high-quality brass alloy which can be fastened by an outside thread and is height-adjustable.

#### Application

- for individual installation of suspension bolts
- connection to drillings or appropriate holders
- for bolt diameter 8, 12, 16, 20 and 30 mm



SBF-M16x1,5-8 ... SBF-M42x1,5-30

#### Article number

Type	
SBF-M16x1,5-8	1.33.1.0003
SBF-M20x1,5-12	1.33.1.0007
SBF-M24x1,5-16	1.33.1.0001
SBF-M30x1,5-20	1.33.1.0002
SBF-M42x1,5-30	1.33.1.0014

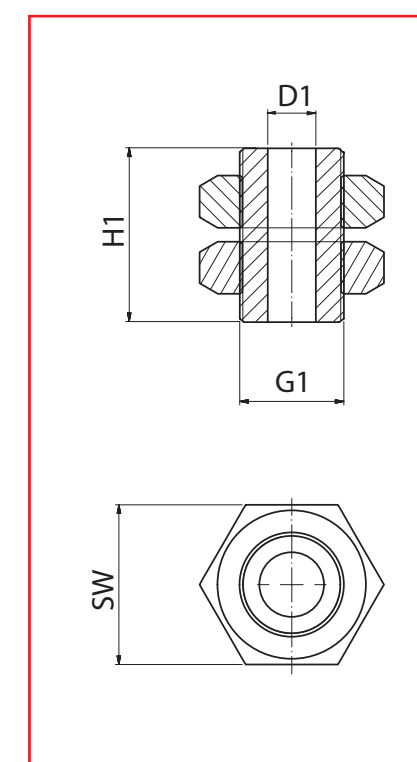
#### Technical data

Type	Tensile load max. (N)	Temperature (°C)	Weight (kg)
SBF-M16x1,5-8	200	-10 ... +60	0,10
SBF-M20x1,5-12	800	-10 ... +60	0,16
SBF-M24x1,5-16	2.500	-10 ... +60	0,26
SBF-M30x1,5-20	5.500	-10 ... +60	0,47
SBF-M42x1,5-30	9.500	-10 ... +60	1,20

**FEZER**  
Simply move more.

## Single Components

### Slide bushing SBF



SBF-M16x1,5-8 ... SBF-M42x1,5-30

#### Dimensions

Type	H1	D1	G1	SW
SBF-M16x1,5-8	40	8,2	M16x1,5	24
SBF-M20x1,5-12	50	12,2	M20x1,5	30
SBF-M24x1,5-16	60	16,2	M24x1,5	36
SBF-M30x1,5-20	60	20,2	M30x1,5	46
SBF-M42x1,5-30	80	30,3	M42x1,5	65

**FEZER**  
Simply move more.