

## Holder for Suction Pads

### Joint holder HSG

#### Description

Universally suitable joint for installation of suction pads on aluminum and hollow profiles. The joints are adjustable to the workpieces both in height and in tilt angle. For connection to the suction pads please use the designated suction pad retainers.

#### Application

- in connection with suspension bolt
- inherently stable loads with strongly curved surfaces
- formed parts

#### Article number

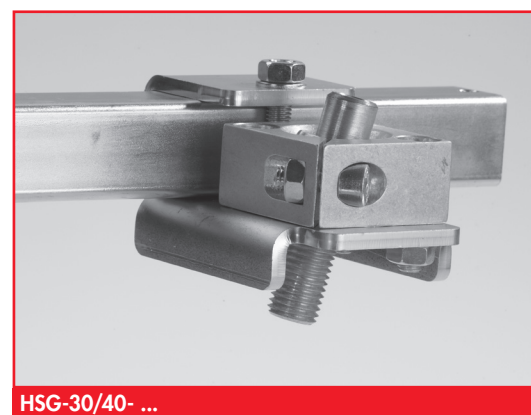
Type	Bolt length	
	75 mm	125 mm
HSG-AL-12x1	1.34.6.0002	1.34.6.0008
HSG-AL-16x1,5	1.34.6.0003	1.34.6.0007
HSG-30-12x1	1.34.6.0004	1.34.6.0009
HSG-30-16x1,5	1.34.6.0005	1.34.6.0010
HSG-40-16x1,5	1.34.6.0006	1.34.6.0011

#### Technical data

Type	Tensile load max. (N)	Bend.mom. max. (Nm)	Temp. (°C)	Weight (kg)
HSG-AL-12x1	400	30	-10 ... +80	0,24
HSG-AL-16x1,5	600	45	-10 ... +80	0,25
HSG-30-12x1	400	30	-10 ... +80	0,78
HSG-30-16x1,5	600	45	-10 ... +80	0,80
HSG-40-16x1,5	600	45	-10 ... +80	0,72



HSG-AL- ...



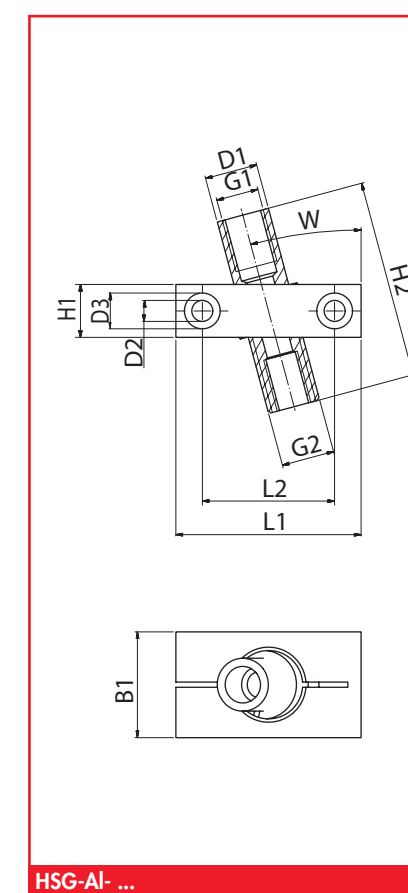
HSG-30/40- ...

# FEZER

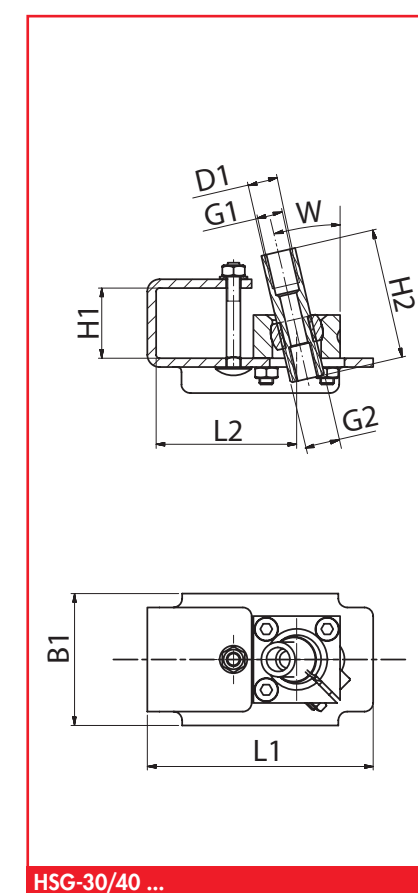
Simply move more.

## Holder for Suction Pads

### Joint holder HSG



HSG-AL- ...



HSG-30/40 ...

#### Dimensions

Type	L1	L2	B	H1	H2	D1	D2	D3	G1	G2	W
HSG-AL-12x1-75	70	50	40	20	75	12	8	13,5	G1/4	M12x1	15°
HSG-AL-12x1-125	70	50	40	20	125	12	8	13,5	G1/4	M12x1	15°
HSG-AL-16x1,5-75	70	50	40	20	75	16	8	13,5	G1/4	M16x1,5	15°
HSG-AL-16x1,5-125	70	50	40	20	125	16	8	13,5	G1/4	M16x1,5	15°
HSG-30-12x1-75	105	66	66	30,5	75	12	---	---	G1/4	M12x1	13°
HSG-30-12x1-125	105	66	66	30,5	125	12	---	---	G1/4	M12x1	13°
HSG-30-16x1,5-75	105	66	66	30,5	75	12	---	---	G1/4	M16x1,5	13°
HSG-30-16x1,5-125	105	66	66	30,5	125	12	---	---	G1/4	M16x1,5	13°
HSG-40-16x1,5-75	105	66	66	30,5	75	12	---	---	G1/4	M16x1,5	13°
HSG-40-16x1,5-125	105	66	66	30,5	125	12	---	---	G1/4	M16x1,5	13°

# FEZER

Simply move more.