

Holders for Suspension Bolt

for aluminum profiles HFSA



Description

Robust and stable holders made of galvanized steel for installation of suspension bolts on aluminum profiles.

Application

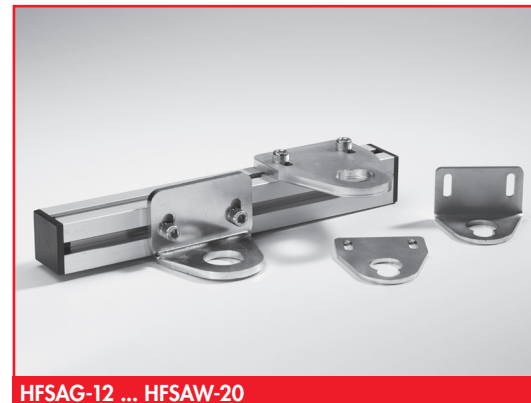
- quick and simple installation with sliding blocks
- limited space
- good adjustment sliding the holders along the slots of the aluminum profiles

Article number

Type	
HFSAG-8/12	2.33.1.0002
HFSAG-16/20	2.33.1.0001
HFSAW-8/12	2.33.1.0004
HFSAW-16/20	2.33.1.0003

Technical data

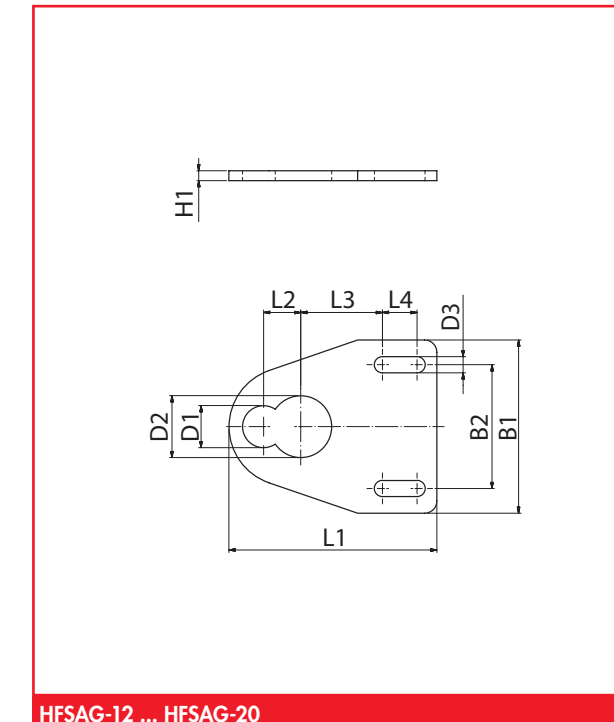
Type	Tensile load max. (N)	Bending mom. max. (Nm)	Temperature (°C)	Weight (kg)
HFSAG-8/12	350	40	-10 ... +80	0,12
HFSAG-16/20	1.200	60	-10 ... +80	0,35
HFSAW-8/12	350	40	-10 ... +80	0,14
HFSAW-16/20	1.200	60	-10 ... +80	0,42



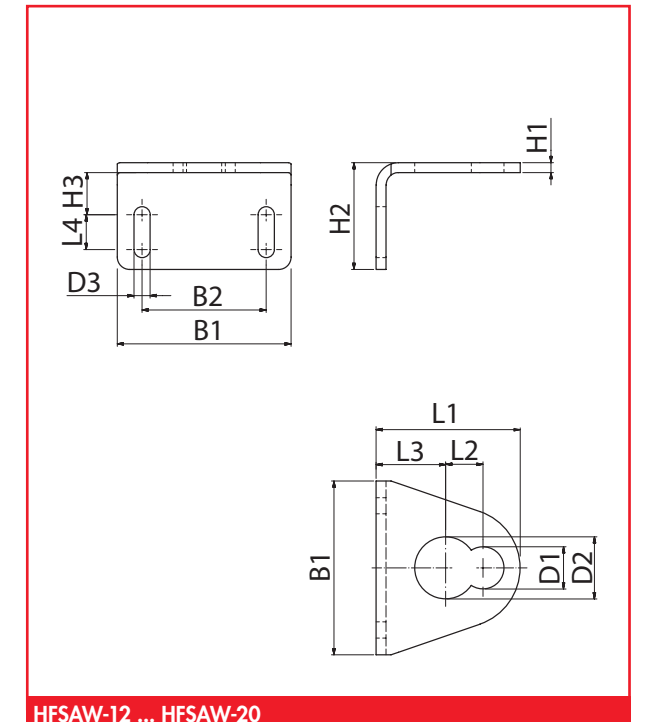
HFSAG-12 ... HFSAW-20

Holders for Suspension Bolt

for aluminum profiles HFSA



HFSAG-12 ... HFSAG-20



HFSAW-12 ... HFSAW-20

Dimensions

Type	L1	L2	L3	L4	B1	B2	H1	H2	H3	D1	D2	D3
HFSAG-8/12	84	12	33	14	70	50	4	---	---	17	21	6,5
HFSAG-16/20	114	14	53	10	90	60	8	---	---	25	31	8,5
HFSAW-8/12	58	12	29	14	70	50	4	43	21	17	21	6,5
HFSAW-16/20	79	14	42	10	90	60	8	57	23	25	31	8,5