

## 1. Basics

### 1. Basics

## 1. Holders for Suspension Bolt

for hollow profiles HFSH

#### Description

Robust and stable holders made of galvanized steel for installation of suspension bolts on aluminum profiles.

#### Application

- quick and simple installation, also on closed frame constructions
- limited space
- good adjustment by sliding the holders along the hollow profile
- simple clamping by star or clamping handle

#### Article number

Type	
HFSH-30-8/12	2.33.1.0091
HFSH-40-8/12	2.33.1.0092
HFSH-40-16/20	2.33.1.0118
HFSH-50-16/20	2.33.1.0093
HFSH-60-16/20	2.33.1.0094

#### Technical data

Type	Tensile load max. (N)	Bending mom. max. (Nm)	Temperature (°C)	Weight (kg)
HFSH-30-8/12	800	50	-10 ... +80	0,48
HFSH-40-8/12	800	50	-10 ... +80	0,69
HFSH-40-16/20	2.000	100	-10 ... +80	0,67
HFSH-50-16/20	2.000	100	-10 ... +80	0,76
HFSH-60-16/20	2.000	100	-10 ... +80	0,85

# FEZER

Simply move more.



HFSH-30 ... HFSH-40

## 1. Basics

### 1. Basics

## 1. Holders for Suspension Bolt

for hollow profiles HFSH

#### Description

Robust and stable holders made of galvanized steel for installation of suspension bolts on aluminum profiles.

#### Application

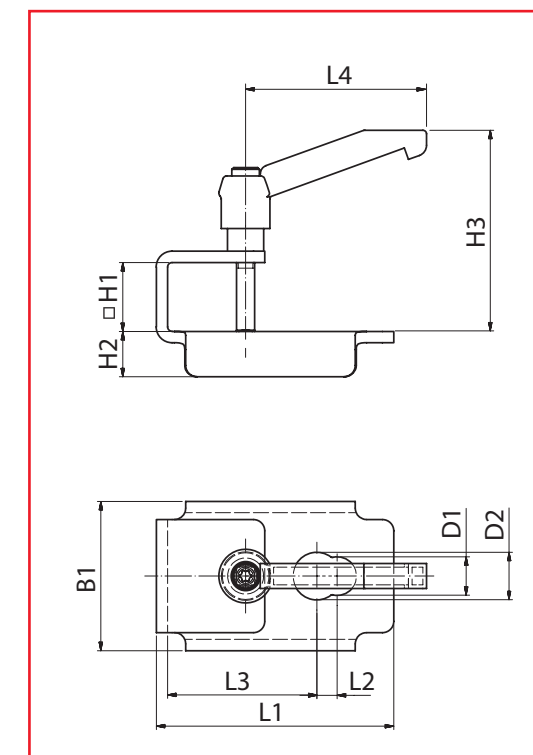
- quick and simple installation, also on closed frame constructions
- limited space
- good adjustment by sliding the holders along the hollow profile
- simple clamping by star or clamping handle

#### Article number

Type	
HFSH-30-8/12	2.33.1.0091
HFSH-40-8/12	2.33.1.0092
HFSH-40-16/20	2.33.1.0118
HFSH-50-16/20	2.33.1.0093
HFSH-60-16/20	2.33.1.0094

#### Technical data

Type	Tensile load max. (N)	Bending mom. max. (Nm)	Temperature (°C)	Weight (kg)
HFSH-30-8/12	800	50	-10 ... +80	0,48
HFSH-40-8/12	800	50	-10 ... +80	0,69
HFSH-40-16/20	2.000	100	-10 ... +80	0,67
HFSH-50-16/20	2.000	100	-10 ... +80	0,76
HFSH-60-16/20	2.000	100	-10 ... +80	0,85



HFSH-30 ... HFSH-40

#### Dimensions

Type	L1	L2	L3	L4	B1	H1	H2	H3	D1	D2
HFSH-30-8/12	105	10	66	80	66	30,5	20	95	17	21
HFSH-40-8/12	125	10	81	80	76	40,5	20	105	17	21
HFSH-40-16/20	125	15	81	80	76	40,5	20	105	25	31
HFSH-50-16/20	135	15	91	80	76	50,5	20	117	25	31
HFSH-60-16/20	145	15	101	80	76	60,5	20	127	25	31

# FEZER

Simply move more.