

Single Components

Clamping plates KP

Description

Robust clamping plate made of aluminum or steel for the individual installation of suspension bolts. The clamping plates consist of a top and bottom clamping part, each with a brass bushing and a clamping screw to fasten the plates to the hollow profiles. The clamping plates are mounted between two profiles and easily adjustable and fastened.

Application

- suspension bolt assembly between two parallel profiles with a distance of 40 mm
- for bolt diameters 12, 16, 20 and 30 mm
- can be adjusted and fastened

Article number

Type	Complete set	Clamping plate top	Clamping plate bottom	Bushing 16 mm	Bushing 20 mm	Bushing 30 mm
KP-AL-16	1.33.2.0105	1.33.2.0102	1.33.2.0104	2.33.1.0005	---	---
KP-AL-20	1.33.2.0108	1.33.2.0102	1.33.2.0104	---	2.33.1.0006	---
KP-ST-20	1.33.2.0052	1.33.2.0037	1.33.2.0038	---	2.33.1.0020	---
KP-ST-30	1.33.2.0058	1.33.2.0059	1.33.2.0045	---	---	1.33.2.0060

Technical data

Type	Prof.distance (mm)	Profile height (mm)	Bolt-Ø (mm)	Clamping screw	Tensile load max. (N)	Bending mom. max. (Nm)	Temperature (°C)	Weight (kg)
KP-AL-16	40	50 - 60	16	M12x90	1.250	50	0 ... +80	1,2
KP-AL-20	40	50 - 60	20	M12x90	2.500	100	0 ... +80	1,2
KP-ST-20	40	70 - 100	20	M12x120	5.500	100	0 ... +80	1,1
KP-ST-30	40	70 - 100	30	M12x120	9.500	300	0 ... +80	1,1



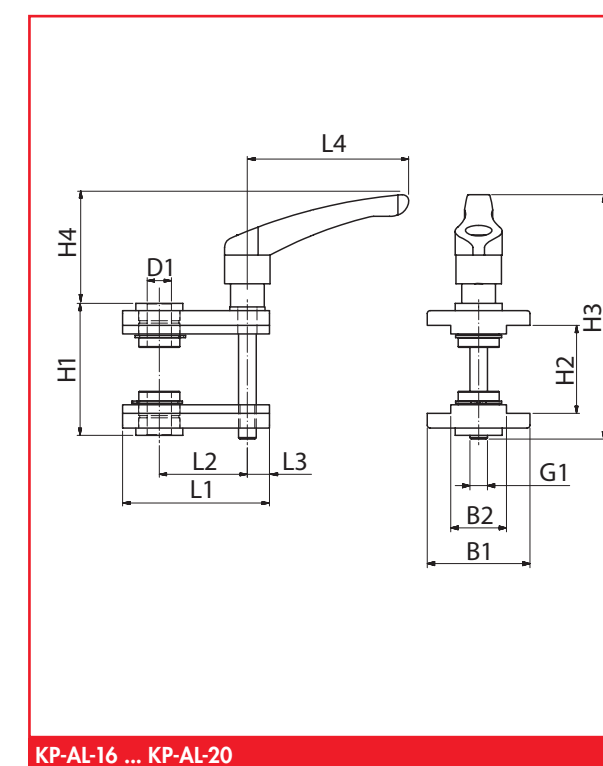
KP-AL-16 ... KP-ST-30

FEZER

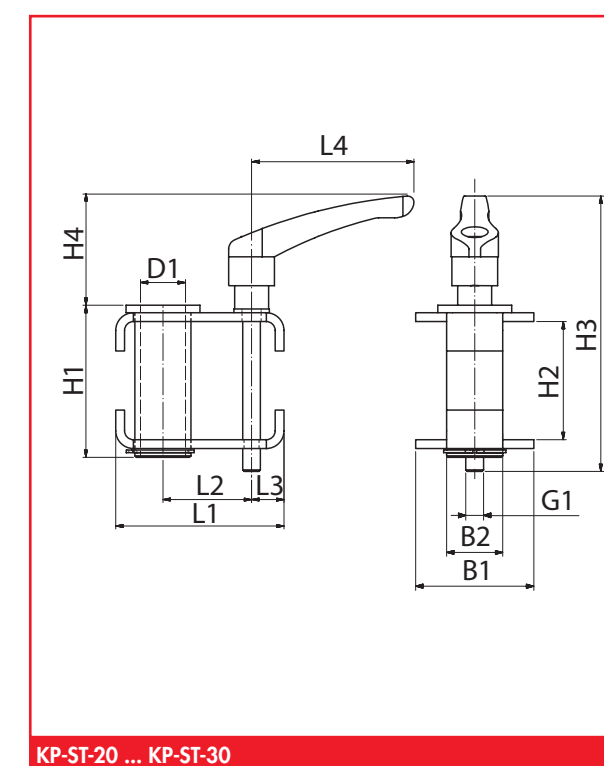
Simply move more.

Single Components

Clamping plates KP



KP-AL-16 ... KP-AL-20



KP-ST-20 ... KP-ST-30

Dimensions

Type	L1	L2	L3	L4	B1	B2	H1	H2	H3	H4	D1
KP-AL-16	100	60	15	80	70	38	90	60	167	59	16,5
KP-AL-20	100	60	15	80	70	38	90	60	167	59	20,5
KP-ST-20	114	60	22	80	80	38	122	100	197	59	20,5
KP-ST-30	114	60	22	80	80	38	132	100	197	59	30,5

FEZER

Simply move more.