

Connection Elements

Articulated suction pad retainer SAK

FEZER
Simply move more.

Description

Stable and robust suction pad retainers made of galvanized steel with integrated vacuum feed for articulated connection of suction pads on suspension bolts. On suction pads with body the connection is sealed with an o-ring. Starting with connection thread M20 a separate vacuum feed is required.

Application

- articulated connection on suspension bolts
- curved, uneven surfaces



SAK-M16x1,5-M8 ... SAK-M30x1,5-M24

Article number

Type	
SAK-M16x1,5-M8	1.31.2.0104
SAK-M16x1,5-M12	1.31.2.0105
SAK-M16x1,5-M16	1.31.2.0049
SAK-M20x1,5-M16	1.31.2.0054
SAK-M20x1,5-M20*	1.31.2.0025
SAK-M30x1,5-M24*	1.31.2.0026

* w/o integrated vacuum feed

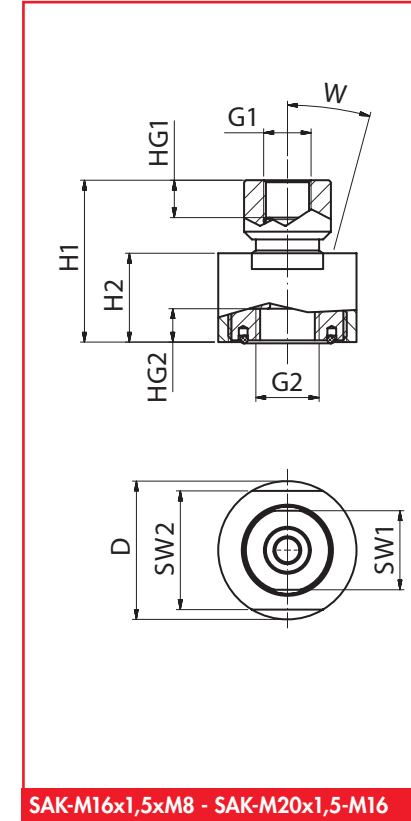
Technical data

Type	Tensile load max. (N)	Temperature (°C)	Weight (kg)
SAK-M16x1,5-M8	200	-10 ... +80	0,123
SAK-M16x1,5-M12	800	-10 ... +80	0,123
SAK-M16x1,5-M16	1.250	-10 ... +80	0,115
SAK-M20x1,5-M16	2.500	-10 ... +80	0,279
SAK-M20x1,5-M20*	5.500	-10 ... +80	1,309
SAK-M30x1,5-M24*	9.500	-10 ... +80	1,249

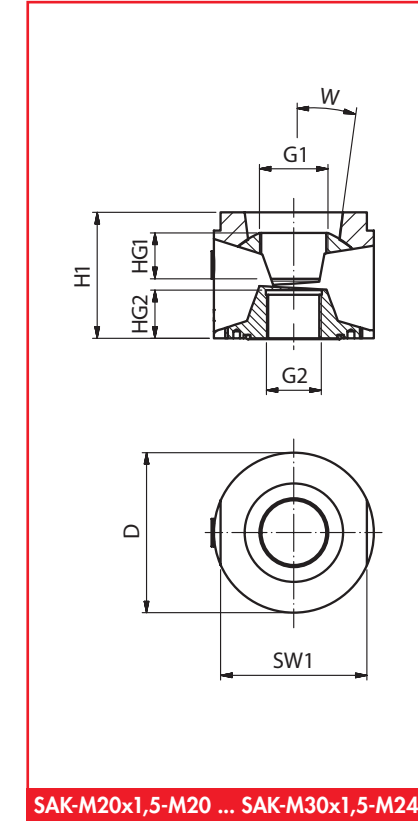
Connection Elements

Articulated suction pad retainer SAK

FEZER
Simply move more.



SAK-M16x1,5-M8 - SAK-M20x1,5-M16



SAK-M20x1,5-M20 ... SAK-M30x1,5-M24

Dimensions

Type	H1	H3	HG1	HG2	D	W	G1	G2	SW1	SW2
SAK-M16x1,5-M8	41,5	22,5	10	8	35	15°	M16x1,5	M8	20	30
SAK-M16x1,5-M12	41,5	22,5	10	8	35	15°	M16x1,5	M12	20	30
SAK-M16x1,5-M16	41,5	22,5	10	8	35	15°	M16x1,5	M16	20	30
SAK-M20x1,5-M16	50,5	29,5	10	8	50	15°	M20x1,5	M16	25	41
SAK-M20x1,5-M20*	55	---	20	19	70	7°	M20x1,5	M20x1,5	64	---
SAK-M30x1,5-M24*	55	---	20	19	70	7°	M30x1,5	M24x1,5	64	---