

Single Components

Bolt end elements

Description

Discs, nuts and damping elements for individual assembly of suspension bolts. Generally a nut and disc are placed at the lower bolt end and a disc and 2 nuts at the top end. The nuts are countered to give a secure fixation. If required additional damping rings can be added.



Bolt end elements

Article number

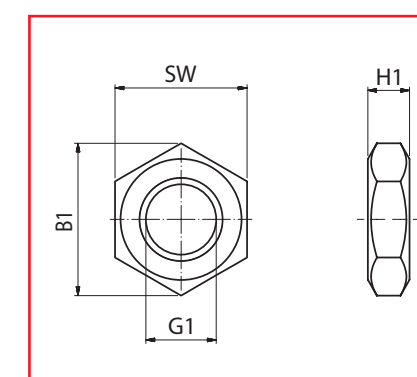
Type	Accessory for bolt M8x1	Accessory for bolt M12x1	Accessory for bolt M16x1,5	Accessory for bolt M20x1,5	Accessory for bolt M30x1,5
Nut	6.21.1.1695	6.21.1.1692	6.21.1.1693	6.21.1.0454	6.21.1.1694
Flat nut	6.21.1.1688	6.21.1.1645	6.21.1.0035	6.21.1.0037	6.21.1.0746
Disc U-	6.21.1.0012	6.21.1.0002	6.21.1.0004	6.21.1.0005	6.21.1.0008
Damping element DE-	6.21.2.0357	6.21.2.0189	6.21.2.0442	6.21.2.0322	6.21.2.0382

FEZER

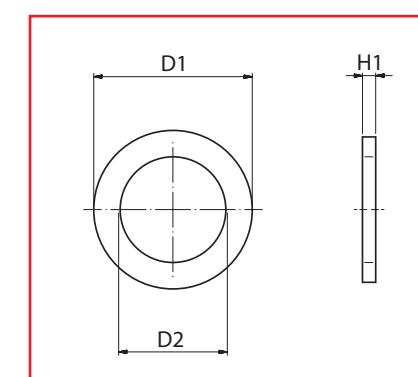
Simply move more.

Single Components

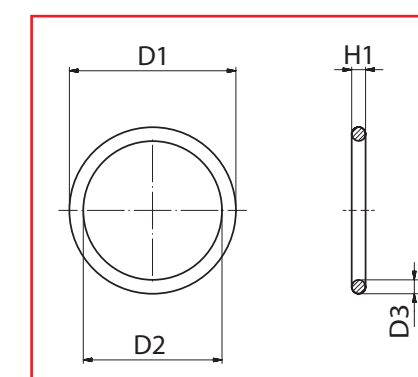
Bolt end elements



Hexagonal nut



Disc



Dampfer

Technical data

Type	D1	D2	D3	H1	G1	B1	SW
Nut M8x1	---	---	---	6,8	M8x1	14,4	13
Nut M12x1	---	---	---	10,8	M12x1	20	18
Nut M16x1,5	---	---	---	14,8	M16x1,5	26,8	24
Nut M20x1,5	---	---	---	18	M20x1,5	33	30
Nut M30x1,5	---	---	---	25,6	M30x1,5	50,9	46
Flat nut M8x1	---	---	---	4	M8x1	14,4	13
Flat nut M12x1	---	---	---	6	M12x1	20	18
Flat nut M16x1,5	---	---	---	8	M16x1,5	26,8	24
Flat nut M20x1,5	---	---	---	10	M20x1,5	33	30
Flat nut M30x1,5	---	---	---	15	M30x1,5	50,9	46
Disc U-8	16	8,4	---	1,8	---	---	---
Disc U-12	24	13	---	2,7	---	---	---
Disc U-16	30	17	---	3,3	---	---	---
Disc U-20	37	21	---	3,3	---	---	---
Disc U-30	56	31	---	4,3	---	---	---
Damping element DE-8	12	8	2	2	---	---	---
Damping element DE-12	16	12	2	2	---	---	---
Damping element DE-16	22	16	2	2	---	---	---
Damping element DE-20	26	20	2	2	---	---	---
Damping element DE-30	38	30	3	3	---	---	---

FEZER

Simply move more.