

## Profile Systems

Connection elements for AL profiles

**FEZER**  
Simply move more.

### Angle connectors WV

Solid aluminum connection piece for angle connection of AL profiles.

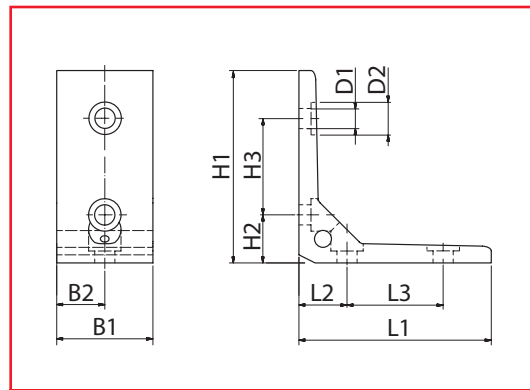
- WVE angle connector, single
- WVL angle connector, single long
- WVLL angle connector, double long
- WVB angle connector, wide



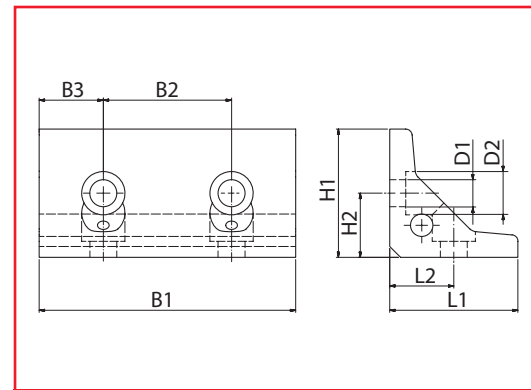
Angle connectors WV- ... WVL-

### Article number

Type	Angle connector WVE	Angle connector WVL	Angle connector WVLL	Angle connector WVB
for ALHP-40	6.21.1.1374	6.21.1.1697	6.21.1.1698	6.21.1.0872
for ALHP-50	6.21.1.1677	6.21.1.1699	6.21.1.1700	6.21.1.1678



Angle connector WVE, VWL, WVLL



Angle connector WVB

### Dimensions

Type	L1	L2	L3	B1	B2	B3	H1	H2	H3	D1	D2
WVE-40	40	20	---	40	20	---	40	20	---	8,4	13,5
WVL-40	40	20	---	40	20	---	80	20	40	8,4	13,5
WVLL-40	80	20	40	40	20	---	80	20	40	8,4	13,5
WVB-40	40	20	---	80	40	20	40	20	---	8,4	13,5
WVE-50	50	25	---	50	25	---	50	25	---	8,4	13,5
WVL-50	85	25	---	40	20	---	85	25	50	8,4	13,5
WVLL-50	85	25	50	40	20	---	85	25	50	8,4	13,5
WVB-50	50	25	---	100	50	25	50	25	---	8,4	13,5

## Profilsysteme

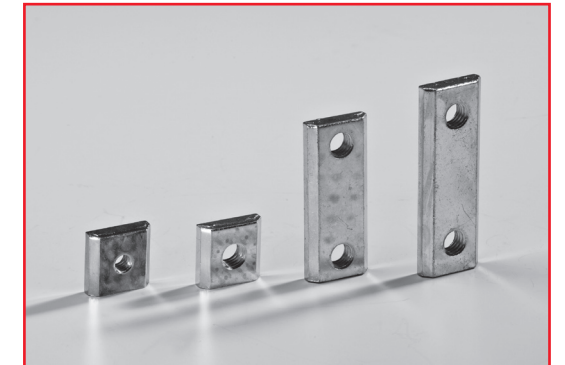
Connection elements for AL profiles

**FEZER**  
Simply move more.

### Sliding blocks NS

Sliding blocks for AL profiles in galvanized steel design

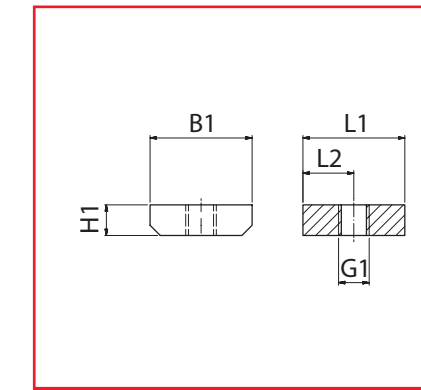
- NS single sliding block
- NSN single sliding block for later assembly
- NSL long sliding block



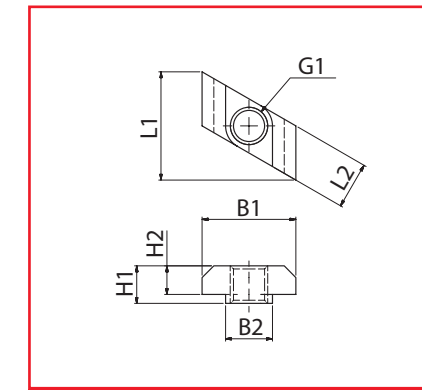
Nutensteine

### Article number

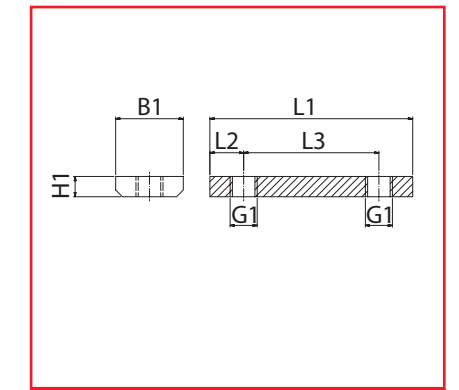
Type	M4	M5	M6	M8
NS-	6.21.1.1423	6.21.1.0813	6.21.1.0804	6.21.1.0790
NSN-	6.21.1.1690	6.21.1.1691	6.21.1.1529	6.21.1.1394
NSL-M8-40	---	---	---	6.21.1.1022
NSL-M8-50	---	---	---	6.21.1.1132



Sliding block NS-



Sliding block NSN-



Sliding block NSL-

### Dimensions

Type	L1	L2	L3	B1	B2	H1	H2	G1
NS-M4	20	10	---	20	---	6	---	M4
NS-M5	20	10	---	20	---	6	---	M5
NS-M6	20	10	---	20	---	6	---	M6
NS-M8	20	10	---	20	---	6	---	M8
NSN-M4	20	10	---	20	10	8	6,1	M4
NSN-M5	20	10	---	20	10	8	6,1	M5
NSN-M6	23,1	10	---	20	10	8	6,1	M6
NSN-M8	23,1	10	---	20	10	8	6,1	M8
NSL-M8-40	60	10	40	20	---	6	---	M8
NSL-M8-50	70	10	50	20	---	6	---	M8

## Profile Systems

Connection elements for AL profiles

**FEZER**  
Simply move more.

### Covers ADK

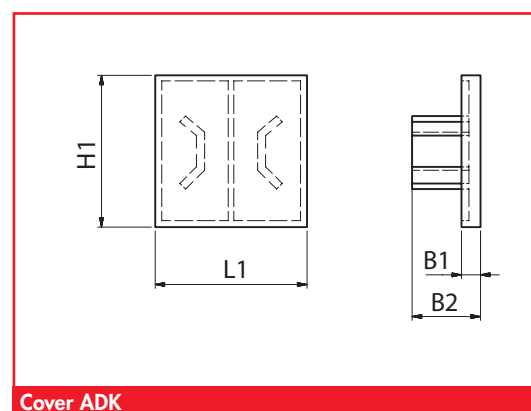
Plastic covers to close open AL profile ends



Abdeckkappen

### Article number

Type	
ADK-40x40	6.21.9.0077
ADK-80x40	6.21.9.0070
ADK-80x80	6.21.9.0124
ADK-50x50	6.21.9.0048
ADK-100x50	6.21.9.0130
ADK-100x100	6.21.9.0034



Cover ADK

### Dimensions

Type	L1	H1	B1	B2
ADK-40x40	40	40	5	18
ADK-80x40	80	40	5	18
ADK-80x80	80	80	5	18
ADK-50x50	50	50	5	18
ADK-100x50	100	50	5	18
ADK-100x100	100	100	5	18

## Profile Systems

Connection elements for AL profiles

**FEZER**  
Simply move more.

### Cover plates VSP and sealing plates ADP

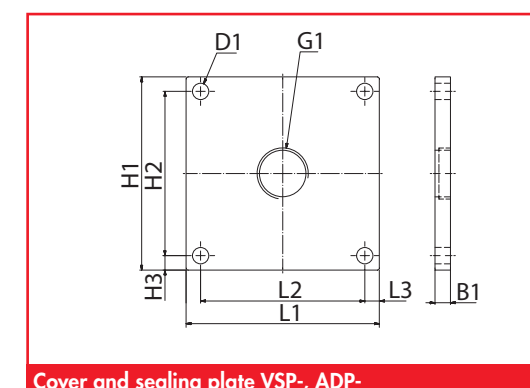
stable covers for vacuum-dense sealing of AL profiles (for use as safety tank, etc.). The plates have a central connection thread or hole and can be closed by a blind plug.



Sealing plates with gasket

### Article number

Type for profile:	Cover plate VSP with connection	Sealing plate ADP-
80x80	5.21.9.0260	5.21.9.0264
100x50	5.21.9.0261	5.21.9.0265
100x100	5.21.9.0262	5.21.9.0266



Cover and sealing plate VSP-, ADP-

### Dimensions

Type	L1	L2	L3	H1	H2	H3	B1	D1	G1
VSP-80x80	80	40	20	80	40	20	8	12,5	G1/2
VSP-100x50	100	85	7,5	50	35	7,5	8	8,5	G3/4
VSP-100x100	100	85	7,5	100	85	7,5	8	8,5	G3/4
ADP-80x80	80	40	20	80	40	20	2	12,5	20
ADP-100x50	100	85	7,5	50	35	7,5	2	8,5	27
ADP-100x100	100	85	7,5	100	85	7,5	2	8,5	27