

Filter Elements

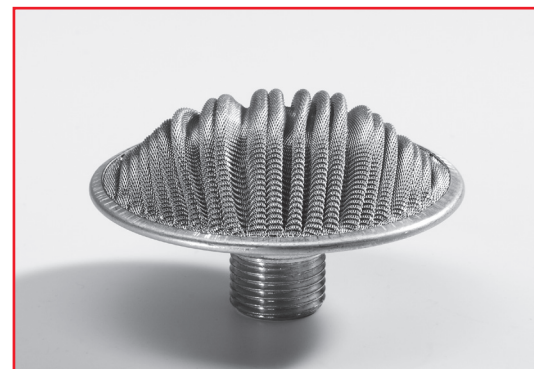
Ventilation filter BF

Description

Robust ventilation filter in stable sheet metal housing. The large surface provides a high grade of separation of dirt particles. To clean them the ventilation filters can be blown out with compressed air contrary to the suction direction.

Application:

- to protect vacuum valves on the ventilation side
- any mounting position



BF-1/2 ... BF 11/2

Article number

Type	Article number
BF-1/2	1.53.1.0003
BF-3/4	1.53.1.0008
BF-1	1.53.1.0009
BF-11/2	1.53.1.0010

Technical data

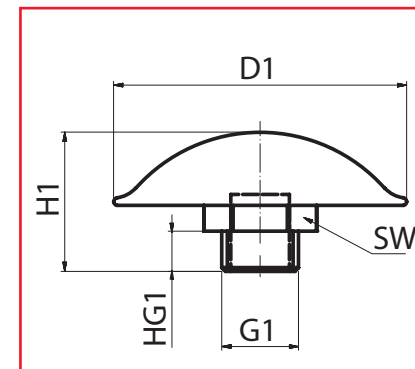
Type	Pressure range (bar)	Flow rate (m³/h)	Flow rate (l/s)	Filter grain size (µm)	Temperature (°C)	Weight (kg)
BF-1/2	-1 ... +8	90	25	60	-10 ... +60	0,10
BF-3/4	-1 ... +8	110	30,7	60	-10 ... +60	0,12
BF-1	-1 ... +8	160	44,4	60	-10 ... +60	0,16
BF-11/2	-1 ... +8	240	66,6	60	-10 ... +60	0,33

FEZER

Simply move more.

Filter Elements

Ventilation filter BF



BF-1/2 ... BF 11/2

Dimensions

Type	D1	H1	G1	HG1	SW
BF-1/2	80	27	G1/2	11	27
BF-3/4	80	45	G3/4	20	36
BF-1	80	47	G1	20	46
BF-11/2	80	58	G11/2	22	46

FEZER

Simply move more.