

Filter Elements

Vacuum filter SFS

Description

Very large dust filter consisting of a stable plastic housin and an internal vacuum filter insert. The filter can be fastened by an appropriate bracket. The filter cartridge can be easily and quickly exchanged or cleaned. The filter is equipped with reductions for hose diameter 50 mm. By removing the reduction the filter can be used for hose diameter 60 mm.

Application:

- for extreme grades of pollution and simultaneously high flow rates (vacuum blowers)
- vertical mounting position



SFS-50

Article number

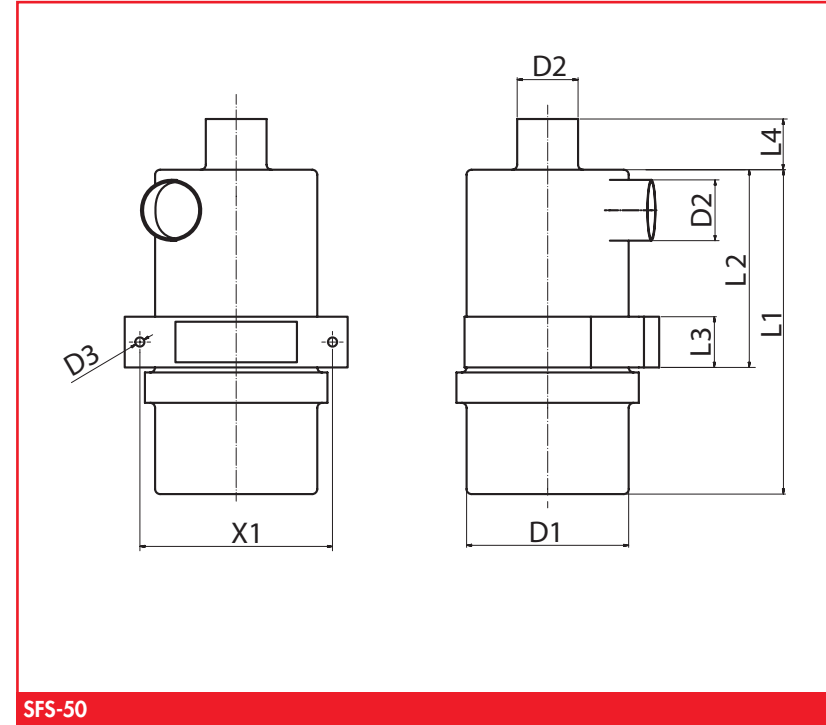
Type		Filter insert	Bracket
SFS-50	4.26.4.0121	5.26.4.0007	4.26.4.0057

Technical data

Type	Pressure range (bar)	Flow rate (m³/h)	Flow rate (l/s)	Filter grain size (µm)	Temperature (°C)	Weight (kg)
SFS-50	-1 ... 0	260	72	5	-5 ... +50	2,05

Filter Elements

Vacuum filter SFS



SFS-50

Dimensions

Type	L1	L2	L3	L4	D1	D2	D3	X1
SFS-50	320	195	50	60	160	50	9	190