

Bellows suction cup, round

GF 10 - GF 75 hard design

FEZER

Simply move more.

Description

Very elastic and robust bellows suction pad with 1,5 bellows and inner support. The suction pads are clipped on the connection nipple aufgesteckt and can be easily exchanged when worn out. Please order connection nipple separately.

Application

- workpieces with curved or uneven surfaces
- for especially soft setting-down
- autonomous height adjustment on uneven workpieces
- various materials for different requirements



FBS-GF 10 S ... FBS-GF 75 S

Article numbers

Type	NBR-S	SI-T	CR-W	PU-B	FKM-S	NR-BR	Connection nipple	
							MS-A	G1/4-A
FBS-GF 10 S	1.02.1.0160	1.02.1.0161	1.02.1.0162	1.02.1.0003	1.02.1.0163	1.02.1.0164	1.31.1.0002	---
FBS-GF 15 S	1.02.1.0165	1.02.1.0166	1.02.1.0167	1.02.1.0008	1.02.1.0168	1.02.1.0169	1.31.1.0002	---
FBS-GF 20 S	1.02.1.0170	1.02.1.0171	1.02.1.0172	1.02.1.0014	1.02.1.0173	1.02.1.0174	---	1.31.1.0005
FBS-GF 30 S	1.02.1.0175	1.02.1.0176	1.02.1.0177	1.02.1.0019	1.02.1.0178	1.02.1.0179	---	1.31.1.0005
FBS-GF 40 S	1.02.1.0180	1.02.1.0181	1.02.1.0182	1.02.1.0024	1.02.1.0183	1.02.1.0184	---	1.31.1.0005
FBS-GF 50 S	1.02.1.0185	1.02.1.0186	1.02.1.0187	1.02.1.0195	1.02.1.0188	1.02.1.0189	---	1.31.1.0004
FBS-GF 75 S	1.02.1.0190	1.02.1.0191	1.02.1.0192	1.02.1.0035	1.02.1.0193	---	---	1.31.1.0006

Technical details

Type	Holding force* (N)	Suction radius min: (mm)	Volume** (l)	Weight (kg)
FBS-GF 10 S	1	10	0,001	0,001
FBS-GF 15 S	6	13	0,001	0,002
FBS-GF 20 S	12	18	0,003	0,005
FBS-GF 30 S	33	28	0,008	0,013
FBS-GF 40 S	55	37	0,014	0,019
FBS-GF 50 S	89	47	0,035	0,031
FBS-GF 75 S	197	70	0,10	0,090

* Specifications at 60 % vacuum w/o safety factor, on smooth, dry surfaces

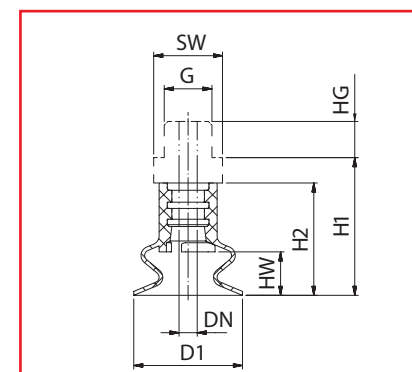
** Volume with suction pad not engaged and unloaded

Bellows suction cup, round

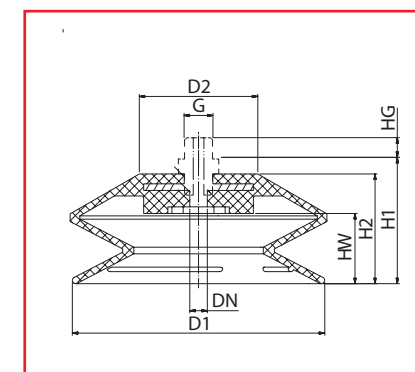
GF 10 - GF 75 hard design

FEZER

Simply move more.



FBS-GF 10 S ... FBS-GF 50 S



FBS-GF 75 S

Dimensions

Type	D1	D2	DN	HW	H1	H2	HG	G	SW
FBS-GF 10 S	10	15	2,5	4	13,5	17	4,5	M5	8
FBS-GF 15 S	15	15	2,5	4	16	19,5	4,5	M5	8
FBS-GF 20 S	20	20	3	9	22	27	10	G1/4	17
FBS-GF 30 S	30	20	4	13	30,5	35,5	10	G1/4	17
FBS-GF 40 S	40	20	4	12,5	30,5	35,5	10	G1/4	17
FBS-GF 50 S	50	32	4	20	36,5	41,5	10	G1/4	17
FBS-GF 75 S	75	40	4	22	41	48	10	G1/4	17

Suitable connection elements

Type	Suction pad retainer		Holding bracket	Holders		Suspension bolt
	SAS	SAK		Bushing	Holding joint	
FBS-GF 10 ... FBS-GF 15	SAS-M8x1-M5	---	HSW-M8x1-M5	HSB-M5-1/4	HSG-M8x1-M5	FS ... -M8x1
FBS-GF 20 ... FBS-GF 75	SAS-M12x1-1/4	SAK-M12x1-1/4	HSW-M12x1-1/4	HSB-1/4-1/4	HSG-M12x1-1/4	FS ... -M12x1