

Bellows suction plate, round

GF 100 - GF 350

FEZER
Simply move more.

Description

Robust bellows suction pad with 1,5 bellows with aluminum body and vulcanized sealing. The suction pads have a central vacuum feed, starting with diameter 200 mm with lateral vacuum feed. Connection by flat head screws which allow a quick exchange of the sealing. Please order connection screw separately.

Application

- workpieces with curved, uneven surfaces
- for especially soft setting-down
- height adjustment on uneven workpieces



GF 100 ... GF 350

Article numbers

Type	NBR-G	SI-T	Connection screw	
			Type	Art.-Nr.
GF 100	1.12.1.0057	1.12.1.0058	ASB-M16-20	1.31.2.0084
GF 120	1.12.1.0005	1.12.1.0006	ASB-M16-20	1.31.2.0084
GF 150	1.12.1.0008	1.12.1.0009	ASB-M16-20	1.31.2.0084
GF 200	1.12.1.0011	1.12.1.0013	AS-M16-22	1.31.2.0035
GF 250	1.12.1.0015	1.12.1.0017	AS-M16-22	1.31.2.0035
GF 300	1.12.1.0019	1.12.1.0020	AS-M16-22	1.31.2.0035
GF 350	1.12.1.0022	1.12.1.0023	AS-M16-22	1.31.2.0035

Technical details

Type	Holding force* (N)	Ansaugradius min: (mm)	Volume** (l)	Weight (kg)
GF 100	220	180	0,15	0,12
GF 120	350	220	0,29	0,21
GF 150	500	280	0,48	0,40
GF 200	900	380	0,88	0,99
GF 250	1.630	480	1,40	1,85
GF 300	2.390	580	3,15	2,95
GF 350	3.230	680	4,20	4,40

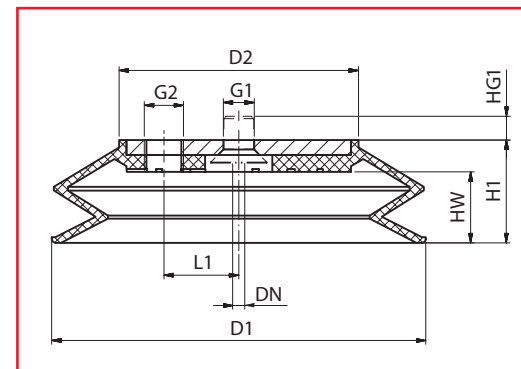
* Specifications at 60 % vacuum w/o safety factor, on smooth, dry surfaces

** Volume with suction pad not engaged and unloaded

Bellows suction plate, round

GF 100 - GF 350

FEZER
Simply move more.



GF 100 ... GF 350

Dimensions

Type	D1	D2	DN	HW	H1	HG1	G1	G2
GF 100	100	60	8	25	38	13	16,2	---
GF 120	120	82	8	35	55	13	16,2	---
GF 150	150	102	8	41	65	13	16,2	---
GF 200	200	128	8	38	55	13	16,2	G1/2
GF 250	250	178	8	42	59	13	16,2	G3/4
GF 300	300	200	8	58	78	13	16,2	G3/4
GF 350	350	248	8	57	82	13	16,2	G3/4

Suitable connection elements

Type	Suction pad retainer		Suspension bolt
	SAS	SAK	
GF 100 ... GF 150	SAS-M16x1,5-M16	SAK-M16x1,5-M16	FS ... -M16x1,5
GF 200 ... GF 350	SAS-M20x1,5-M16	SAK-M20x1,5-M16	FS ... -M20x1,5