

Bellows suction cup, round

GF 30 - GF 115 soft design

FEZER
Simply move more.

Description

Very elastic bellows suction pad with 1,5 bellows and inner support. The suction pads are clipped on the connection nipple and can be easily exchanged when worn out. Please order connection nipple separately.

Application

- workpieces with curved or uneven surfaces
- workpieces with extremely sensitive surfaces
- for especially soft setting-down
- autonomous height adjustment on uneven workpieces



FBS-GF 30 ... FBS-GF 115

Article numbers

Type	NBR-S	SI-R	Connection nipple G1/4-A
FBS-GF 30	1.02.1.0018	1.02.1.0021	1.31.1.0014
FBS-GF 55	1.02.1.0028	1.02.1.0031	1.31.1.0014
FBS-GF 75	1.02.1.0034	1.02.1.0037	1.31.1.0014
FBS-GF 95	1.02.2.0003	1.02.2.0004	vulcanized
FBS-GF 115	1.02.2.0001	1.02.2.0002	vulcanized

Technical details

Type	Holding force* (N)	Suction radius min: (mm)	Volume** (l)	Weight (kg)
FBS-GF 30	26	25	0,01	0,008
FBS-GF 55	57	50	0,04	0,020
FBS-GF 75	92	70	0,10	0,045
FBS-GF 95	171	90	0,12	0,090
FBS-GF 115	320	110	0,21	0,150

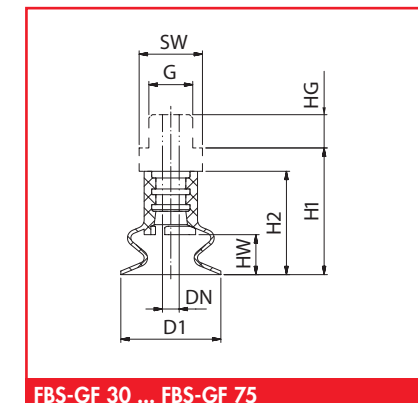
* Specifications at 60 % vacuum w/o safety factor, on smooth, dry surfaces

** Volume with suction pad not engaged and unloaded

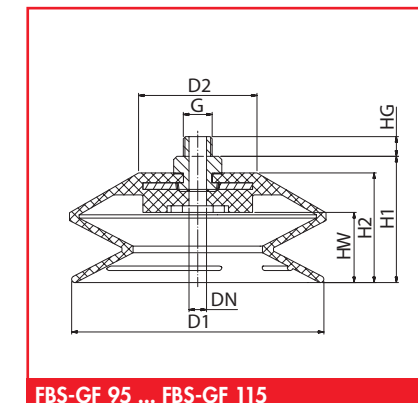
Bellows suction cup, round

GF 30 - GF 115 soft design

FEZER
Simply move more.



FBS-GF 30 ... FBS-GF 75



FBS-GF 95 ... FBS-GF 115

Dimensions

Type	D1	D2	DN	HW	H1	H2	HG	G	SW
FBS-GF 30	30	22	5	11	31	38	10	G1/4	19
FBS-GF 55	55	22	5	15	41	48	10	G1/4	19
FBS-GF 75	75	22	5	19	41	48	10	G1/4	19
FBS-GF 95	95	28	8	22	36	44	9	G1/4	19
FBS-GF 115	115	54	8	32	50	58	9	G1/4	19

Suitable connection elements

Type	Suction pad retainer		Holding bracket	Holders		Suspension bolt
	SAS	SAK		Bushing	Holding joint	
FBS-GF 30 ... FBS-GF 75	SAS-M12x1-1/4	---	HSW-M12x1-1/4	HSB-1/4-1/4	HSG-M12x1-1/4	FS ... -M12x1
FBS-GF 95 ... FBS-GF 115	SAS-M16x1,5-1/4	---	HSW-M16x1,5-1/4	HSB-1/4-1/4	HSG-M12x1-1/4	FS ... -M16x1,5