

## Bellows suction plate, oval

GF 60x140 - GF 200x400

# FEZER

Simply move more.

### Description

Robust bellows suction pad in 1,5 bellows design with aluminum body and vulcanized sealing. The suction pads have central or lateral vacuum feed. Connection via flat head screws which allow a quick exchange of the pad when worn out. Please order the connection screw separately.

### Application

- narrow workpieces with curved, uneven surfaces
- for especially soft setting-down
- height-adjustment on uneven workpieces



GF 60x140 ... GF 200x400

### Article numbers

Type	NBR-G	SI-T	Connection screw	
			Type	Art.-Nr.
GF 60x140	1.12.1.0025	1.12.1.0026	ASB-M8-16	1.31.2.0068
GF 70x150	1.12.1.0065	1.12.1.0066	ASB-M8-16	1.31.2.0068
GF 100x200	1.12.1.0002	1.12.1.0003	AS-M16-25	1.31.2.0013
GF 100x350	1.12.1.0061	1.12.1.0062	AS-M16-25	1.31.2.0013
GF 150x300	1.12.1.0059	1.12.1.0060	AS-M16-25	1.31.2.0013
GF 200x400	1.12.1.0063	1.12.1.0064	AS-M16-25	1.31.2.0013

### Technical details

Type	Holding force* (N)	Suction radius (mm)	Volume** (l)	Weight (kg)
GF 60x140	190	35	0,12	0,24
GF 70x150	260	40	0,18	0,40
GF 100x200	510	55	0,98	1,00
GF 100x350	1.050	55	0,78	1,60
GF 150x300	1.280	90	1,08	2,05
GF 200x400	2.280	140	1,78	3,40

\* Specifications at 60 % vacuum w/o safety factor, on smooth, dry surfaces

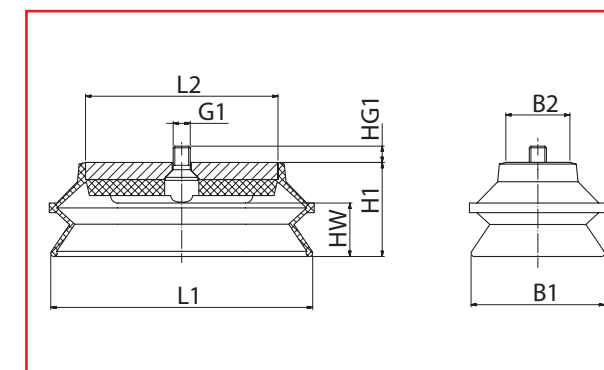
\*\* Volume with suction pad not engaged and unloaded

## Bellows suction plate, oval

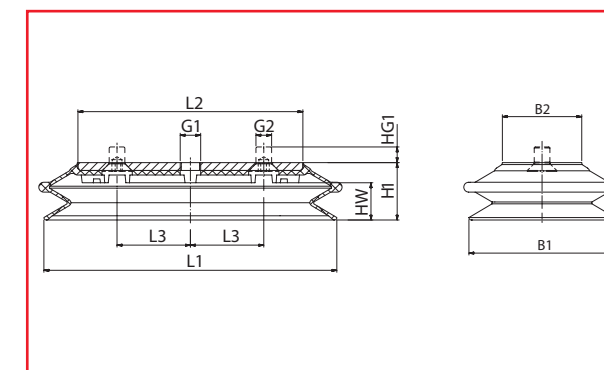
GF 60x140 - GF 200x400

# FEZER

Simply move more.



GF 60x140 ... GF 70x150



GF 100x200 ... GF 200x400

### Dimensions

Type	L1	L2	L3	B1	B2	HW	H1	G1	HG1	G2
GF 60x140	140	90	---	60	30	25	44	8,2	8	---
GF 70x150	150	110	---	70	30	15	26	8,2	8	---
GF 100x200	200	160	100	100	80	41	62	G1/2	12	16,5
GF 100x350	350	298	150	100	50	39	58	G1/2	12	16,5
GF 150x300	300	228	150	150	80	39	58	G1/2	12	16,5
GF 200x400	400	325	200	200	130	39	58	G3/4	12	16,5

### Suitable connection elements

Type	Suction pad retainer		Holding bracket	Holders		Suspension bolt
	SAS	SAK		Bushing	Holding joint	
GF 60x140 ... GF 70x150	SAS-M16x1,5-M8	---	HSW-M16x1,5-M8	HSB-M8-1/8	HSG-M12x1-1/8	FS ... -M12x1*
GF 100x200 ... GF 100x350	SAS-M16x1,5-M16	SAK-M16x1,5-M16	---	---	---	FS ... -M16x1,5**
GF 150x300 ... GF 200x400	SAS-M20x1,5-M16	SAK-M20x1,5-M16	---	---	---	FS ... -M20x1,5**

\* Single connection, mounted with rotation-protected suspension bolt

\*\* Double connection, mounted with 2 suspension bolts