

## Flat suction plate, oval

FSL 20x60 - FSL 80x370

**FEZER**  
Simply move more.

### Description

Robust and universally suitable flat suction pad with aluminum body and vulcanized sealing. Connection by flat head screws which allow to easily exchange the sealing. Please order connection screw separately.

### Application

- workpieces with narrow suction areas (door elements, rods, bars, profiles)
- workpieces with smooth, slightly rough surfaces



FSL 20x60 ... FSL 80x370

### Article numbers

Type	NBR-G	SI-T	Connection screw	
			Type	Art.-Nr.
DP-FSL 20x60	1.11.1.0398	1.11.1.0399	ASB-M5-20	1.31.2.0009
DP-FSL 30x80	1.11.1.0401	1.11.1.0402	ASB-M8-16	1.31.2.0068
DP-FSL 30x100	1.11.1.0404	1.11.1.0405	ASB-M8-16	1.31.2.0068
DP-FSL 35x200	1.11.1.0407	1.11.1.0408	AS-M5	1.31.2.0108
DP-FSL 40x110	1.11.1.0410	1.11.1.0411	ASB-M8-16	1.31.2.0068
DP-FSL 55x85	1.11.1.0413	1.11.1.0414	ASB-M12-17	1.31.2.0003
DP-FSL 55x100	1.11.1.0416	1.11.1.0417	ASB-M12-17	1.31.2.0003
DP-FSL 55x125	1.11.1.0419	1.11.1.0420	ASB-M12-17	1.31.2.0003
DP-FSL 55x150	1.11.1.0422	1.11.1.0423	AS-M8-16	1.31.2.0068
DP-FSL 55x200	1.11.1.0172	1.11.1.0426	AS-M8-16	1.31.2.0068
DP-FSL 55x250	1.11.1.0428	1.11.1.0429	AS-M8-16	1.31.2.0068
DP-FSL 55x300	1.11.1.0431	1.11.1.0432	AS-M8-16	1.31.2.0068
DP-FSL 80x250	1.11.1.0434	1.11.1.0435	AS-M16-22	1.31.2.0035
DP-FSL 80x370	1.11.1.0437	1.11.1.0438	AS-M16-22	1.31.2.0035

### Technical details

Type	Holding force* (N)	Suction radius min: (mm)	Volume** (l)	Weight (kg)
DP-FSL 20x60	50	18	0,004	0,018
DP-FSL 30x80	90	20	0,010	0,025
DP-FSL 30x100	110	25	0,015	0,030
DP-FSL 35x200	210	25	0,055	0,030
DP-FSL 40x110	140	30	0,035	0,045
DP-FSL 55x85	150	60	0,035	0,060
DP-FSL 55x100	175	60	0,040	0,080
DP-FSL 55x125	220	60	0,050	0,120
DP-FSL 55x150	270	60	0,060	0,150
DP-FSL 55x200	350	60	0,090	0,180
DP-FSL 55x250	440	60	0,100	0,210
DP-FSL 55x300	525	60	0,110	0,260
DP-FSL 80x250	670	80	0,190	0,370
DP-FSL 80x370	1.280	80	0,260	0,620

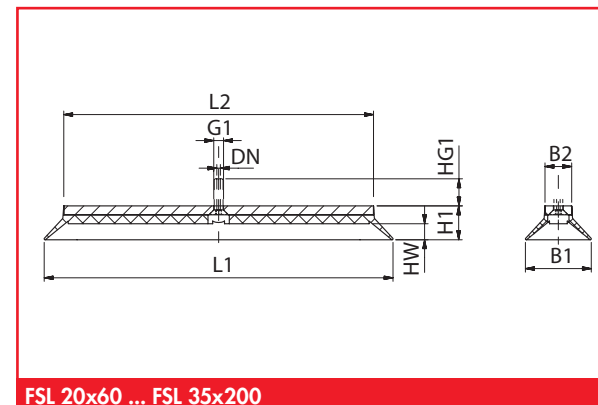
\* Specifications at 60 % vacuum w/o safety factor, on smooth, dry surfaces

\*\* Volume with suction pad not engaged and unloaded

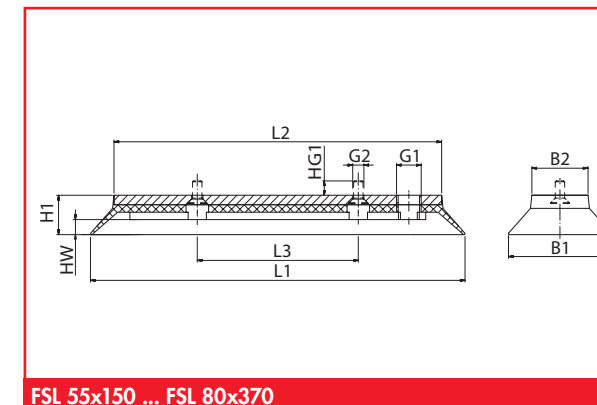
## Flat suction plate, oval

FSL 20x60 - FSL 80x370

**FEZER**  
Simply move more.



FSL 20x60 ... FSL 35x200



FSL 55x150 ... FSL 80x370

### Dimensions

Type	L1	L2	L3	B1	B2	HW	H1	G1	HG1	G2
DP-FSL 20x60	60	50	---	20	12	4	13	5,2	15	---
DP-FSL 30x80	80	65	---	30	15	5	14	8,2	11	---
DP-FSL 30x100	100	85	---	30	15	5	15	8,2	11	---
DP-FSL 35x200	195	174	---	35	15	9	19	5,2	15	---
DP-FSL 40x110	110	85	---	40	15	10	20	8,2	11	---
DP-FSL 55x85	85	62	---	55	32	8	21	12,2	8	---
DP-FSL 55x100	100	70	---	55	32	9	21	12,2	8	---
DP-FSL 55x125	125	100	---	55	32	9	21	12,2	8	---
DP-FSL 55x150	150	125	50	55	32	9	21	G1/4	10	8,2
DP-FSL 55x200	200	160	75	55	32	9	21	G1/4	10	8,2
DP-FSL 55x250	250	220	90	55	32	8	21	G1/4	10	8,2
DP-FSL 55x300	300	277	110	55	32	8	21	G1/4	10	8,2
DP-FSL 80x250	250	222	90	80	52	10	26	G3/8	10	16,2
DP-FSL 80x370	370	347	140	80	52	10	26	G3/8	10	16,2

### Suitable connection elements

Type	Suction pad retainer		Holding bracket	Holders		Suspension bolt
	SAS	SAK		Bushing	Holding joint	
FSL 20x60 ... 55x125	SAS-M12x1-M5	---	HSW-M12x1-M5	HSB-1/8-M5	HSG-1/8-M5	FS ... -M12x1*
FSL 35x200	SAS-M12x1-M5	---	---	---	---	FS ... -M12x1**
FSL 55x150 ... FSL 55x200	SAS-M12x1-M12	SAK-M12x1-M12	---	---	---	FS ... -M12x1**
FSL 55x250 ... FSL 80x370	SAS-M16x1,5-M16	SAK-M16x1,5-M16	---	---	---	FS ... -M16x1,5**

\* Single connection, mounted with rotation-protected suspension bolt

\*\* Double connection, mounted with 2 suspension bolts