

## Flat suction plate, oval

FSL 450x850

### Description

Robust and resistant flat suction pad. The suction pad is available in two designs. With a steel body for heavy duty or an aluminum body for the handling of porous materials. Connection via thread in the body. Separate vacuum feed via designated connection threads.

### Application

- extremely heavy and inherent workpieces
- workpieces with smooth, slightly rough surface
- handling of heavy, porous materials

### Article numbers

Type	NBR-S	NBR-G	SI-R	VI-S
DP-FSL 450x850-ST	1.11.1.0119	---	1.11.1.0120	1.11.1.0225
DP-FSL 450x850-AL	---	1.11.1.0117	---	---

### Technical details

Type	Holding force* (N)	Volume** (l)	Weight (kg)
DP-FSL 450x850-ST	18.750	8,20	12,8
DP-FSL 450x850-AL	18.750	8,20	28,6

\* Specifications at 60 % vacuum w/o safety factor, on smooth, dry surfaces

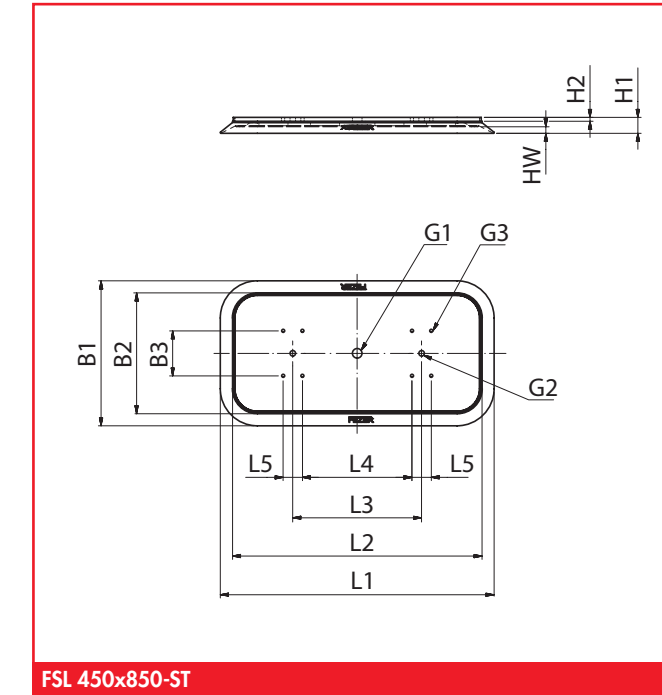
\*\* Volume with suction pad not engaged and unloaded



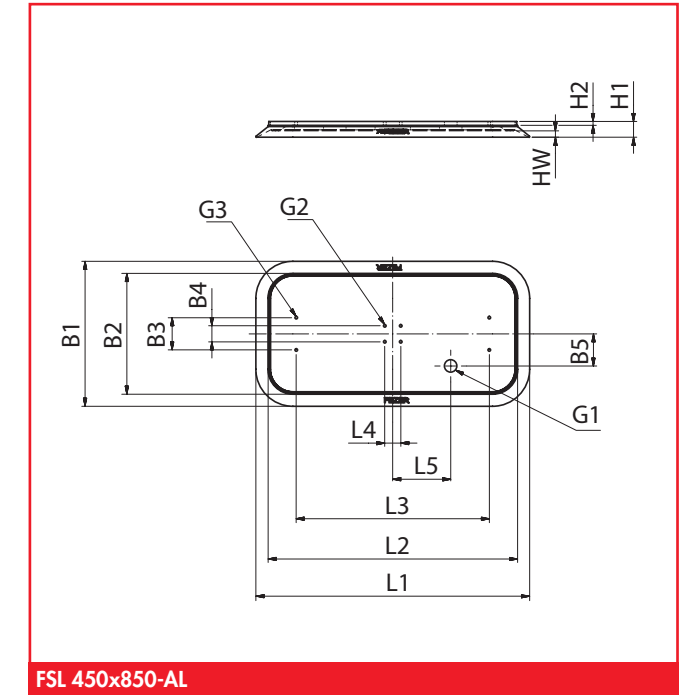
FSL 450x850

## Flat suction plate, oval

FSL 450x850



FSL 450x850-ST



FSL 450x850-AL

### Dimensions

Type	L1	L2	L3	L4	L5	B1	B2	B3	B4	B5	H1	H2	HW	G1	G2	G3
DP-FSL 450x850-ST	850	770	400	340	60	450	370	140	---	---	49	12	20	G1	M20	M12x1,75
DP-FSL 450x850-AL	850	770	600	50	180	450	370	100	50	100	49	12	20	G11/4	M10x1,5	M10x1,5