

Grip suction cup, round

GFS 40 - GFS 110 - Bellows design

FEZER
Simply move more.

Description

Very robust and resistant bellows suction cup with 1,5 bellows and a specially structured pad and connection screw. The special pad increases the friction coefficient which allows higher cross acceleration also on oily or wet surfaces.

Application

- thin-walled workpieces with smooth, oily or wet surfaces
- especially adaptable to work piece radiuses
- exact positioning of sheets
- highly dynamic process requirements



FBS-GFS 40 ... FBS-GFS 115

Article numbers

Type	PU
FBS-GFS 40	1.02.2.0013
FBS-GFS 60	1.02.2.0014
FBS-GFS 85	1.02.2.0015
FBS-GFS 110	1.02.2.0016

Technical details

Type	Holding force* (N)	Suction radius min: (mm)	Volume** (l)	Weight (kg)
FBS-GFS 40	45	23	0,01	0,032
FBS-GFS 60	82	35	0,02	0,056
FBS-GFS 85	174	50	0,05	0,095
FBS-GFS 110	284	95	0,11	0,176

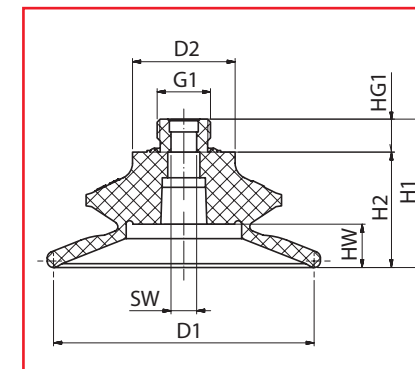
* Specifications at 60 % vacuum w/o safety factor, on smooth, dry surfaces

** Volume with suction pad not engaged and unloaded

Grip suction pad, round

GFS 40 - GFS 110 - Bellows design

FEZER
Simply move more.



FBS-GFS 40 ... FBS-GFS 115

Dimensions

Type	D1	D2	HW	H1	H2	HG1	G1	SW
FBS-GFS 40	45	23	7	32	22	10	G3/8	8
FBS-GFS 60	61	23	10	36	25	10	G3/8	8
FBS-GFS 85	85	32	14	46	38	10	G3/8	5
FBS-GFS 110	115	45	21	63	52	10	G3/8	5

Suitable connection elements

Type	Suction pad retainer		Holding bracket	Holders		Suspension bolt
	SAS	SAK		Bushing	Holding joint	
FBS-GFS 40 ... FBS-GFS 60	SAS-M12x1-3/8	---	HSW-M12x1-3/8	HSB-3/8-3/8	HSG-M12x1-3/8	FS ... -M12x1
FBS-GFS 85 ... FBS-GFS 110	SAS-M16x1,5-3/8	---	HSW-M16x1,5-3/8	HSB-3/8-3/8	HSG-M16x1,5-3/8	FS- ... -M16x1,5