

Grip suction cup, round

GS 35 - GS 125 - Flat design

FEZER
Simply move more.

Description

Very robust and resistant flat suction cup with specially structured suction pad and connection screw. The special pad increases the friction coefficient which allows higher cross acceleration also on oily or wet surfaces.

Application

- thin-walled workpieces with smooth, oily or wet surfaces
- exact positioning of sheets
- highly dynamic process requirements



FS-GS 35 ... FS-GS 125

Article numbers

Type	PU
FS-GS 35	1.01.2.0031
FS-GS 50	1.01.2.0032
FS-GS 75	1.01.2.0033
FS-GS 100	1.01.2.0034
FS-GS 125	1.01.2.0035

Technical details

Type	Holding force* (N)	Suction radius min: (mm)	Volume** (l)	Weight (kg)
FS-GS 35	34	40	0,005	0,04
FS-GS 50	72	50	0,010	0,06
FS-GS 75	163	100	0,030	0,08
FS-GS 100	236	150	0,070	0,11
FS-GS 125	405	150	0,100	0,17

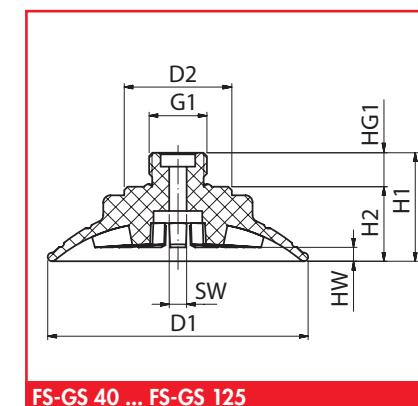
* Specifications at 60 % vacuum w/o safety factor, on smooth, dry surfaces

** Volume with suction pad not engaged and unloaded

Grip suction cup, round

GS 35 - GS 125 - Flat design

FEZER
Simply move more.



FS-GS 40 ... FS-GS 125

Dimensions

Type	D1	D2	HW	H1	H2	HG1	G1	SW
FS-GS 35	35	24	2	29	18	10	G3/8	5
FS-GS 50	50	31	3	34	24	10	G3/8	7
FS-GS 75	75	43	4	31	20	10	G3/8	5
FS-GS 100	100	55	6	36	25	10	G3/8	10
FS-GS 125	126	55	8	42	29	10	G3/8	10

Suitable connection elements

Type	Suction pad retainer		Holding bracket	Holders		Suspension bolt
	SAS	SAK		Bushing	Holding joint	
FS-GS 35 ... FS-GS 75	SAS-M12x1-3/8	---	HSW-M12x1-3/8	HSB-3/8-3/8	HSG-M12x1-3/8	FS ... -M12x1
FS-GS 100 ... FS-GS 125	SAS-M16x1,5-3/8	---	HSW-M16x1,5-3/8	HSB-3/8-3/8	HSG-M16x1,5-3/8	FS ... -M16x1,5