

Bar suction plate

FSLs 30x50 - FSLs 60x470

FEZER
Simply move more.

Description

Special suction plate for handling of bars, spindles and tubes. The suction plates have a slightly curved and extremely long sealing lip, that adjusts to various diameters. The suction plates FSLs 30x50 ... 30x100 can be connected to a tube or with the suitable connection nipples to connection elements. Starting with type FSLs 35x200 only via suitable connection elements. When worn out the suction plates can be easily exchanged.

Application

- Handling of tubes, bars, spindles or other round surfaces
- covers a relatively large area of diameters without having to change the pads



FSLs 30x50 ... FSLs 60x470

Article numbers

Type	NBR-G	SI-T	Connection nipple/screw	
			Type	Art.-Nr.
FSLs 30x50	1.11.1.0490	1.11.1.0494	ANF-10-1/4	1.31.1.0026
FSLs 30x100	1.11.1.0289	1.11.1.0495	ANF-10-1/4	1.31.1.0026
FSLs 35x200	1.11.1.0288	1.11.1.0496	AS-M8-16	1.31.2.0076
FSLs 35x300	1.11.1.0491	1.11.1.0497	AB-M8-16	1.31.2.0076
FSLs 60x140	1.11.1.0492	1.11.1.0498	ASB-M12-20	1.31.2.0011
FSLs 60x470	1.11.1.0493	1.11.1.0499	AS-M12-20	1.31.2.0011

Technical details

Type	Holding force* (N)	Suction radius min: (mm)	Volume** (l)	Weight (kg)
FSLs 30x50	70	35	0,006	0,007
FSLs 30x100	140	35	0,010	0,010
FSLs 35x200	180	20	0,050	0,013
FSLs 35x300	300	20	0,070	0,026
FSLs 60x140	200	40	0,100	0,120
FSLs 60x470	750	40	0,450	0,350

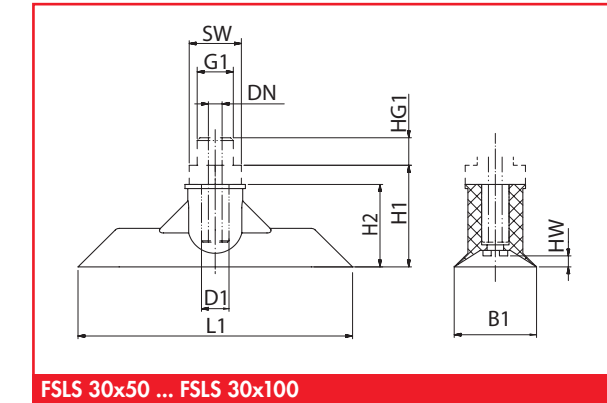
* Specifications at 60 % vacuum w/o safety factor, on smooth, dry surfaces

** Volume with suction pad not engaged and unloaded

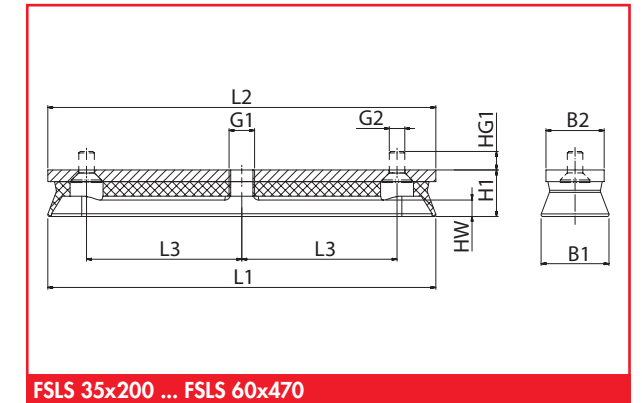
Bar suction plate

FSLs 30x50 - FSLs 60x470

FEZER
Simply move more.



FSLs 30x50 ... FSLs 30x100



FSLs 35x200 ... FSLs 60x470

Dimensions

Type	L1	L2	L3	B1	B2	HW	H1	HG1	D1	G1	G2
FSLs 30x50	50	---	---	30	---	2	23	10	10	G1/4	---
FSLs 30x100	100	---	---	30	---	4	30	10	10	G1/4	---
FSLs 35x200	200	200	70	35	30	8,5	24	8	---	G1/4	8,2
FSLs 35x300	300	300	100	35	30	8,5	24	8	---	G1/4	8,2
FSLs 60x140	140	83	---	60	35	13	27	10	---	12,2	---
FSLs 60x470	470	411	100	60	35	13	27	8	---	G1/4	12,2

Suitable connection elements

Type	Suction pad retainer		Suspension bolt
	SAS	SAK	
FSLs 30x50, 30x100, 60x140	SAS-M12x1-1/4	---	FS ... -M12x1*
FSLs 60x140	SAS-M16x1,5-1/4	---	FS ... -M16x1,5*
FSLs 35x200 ... FSLs 60x470	SAS-M12x1-M12	SAK-M12x1-M12	FS ... -M12x1**

* Single connection, mounted with rotation-protected suspension bolt

** Double connection, mounted with 2 suspension bolts