

## Bar suction plate

FSLSE 120x300 - FSLSE 200x750

**FEZER**  
Simply move more.

### Description

Special suction plate for the handling of bars, tubes and spindles. The suction plates have a divided body, which allows adjustment to specified diameters. The special retainers allow to simply adapt to designated angles. When worn out the pads can be easily exchanged.

### Application

- handling of tubes, rods, spindles or other round surfaces
- covers a relatively large range of diameters without having to change the pads



FSLSE 120x300 ... FSLSE 200x750

### Article numbers

Type	NBR-G	SI-T
FSLSE 120x300	1.11.2.0004	1.11.2.0005
FSLSE 180x500	1.11.2.0006	1.11.2.0007
FSLSE 200x750	1.11.2.0008	1.11.2.0009

### Technical details

Type	Holding force* (N)	Suction radius min: (mm)	Volume** (l)	Weight (kg)
FSLSE 120x300	735	60	0,4	1,8
FSLSE 180x500	1.470	90	1,4	3,1
FSLSE 200x750	4.350	100	4,2	4,2

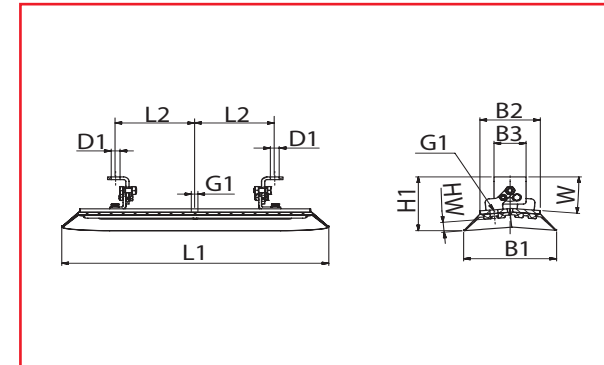
\* Specifications at 60 % vacuum w/o safety factor, on smooth, dry surfaces

\*\* Volume with suction pad not engaged and unloaded

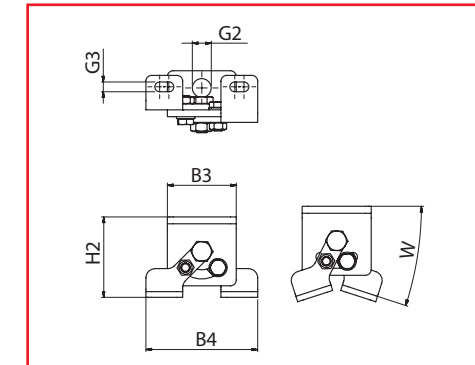
## Bar suction plate

FSLSE 120x300 - FSLSE 200x750

**FEZER**  
Simply move more.



FSLSE 120x300 ... FSLSE 200x750



Holding bracket

### Dimensions

Type	L1	L2	B1	B2	B3	B4	HW	H1	H2	W	G1	G2	G3
FSLSE 120x300	300	100	120	70	30	35	16	34	70	0-18°	G1/4	16,5	8,5
FSLSE 180x500	500	150	180	110	50	55	22	41	70	0-18°	G3/8	16,5	8,5
FSLSE 200x750	750	275	200	110	50	55	29	54	70	0-18°	G3/4	16,5	8,5

### Suitable connection elements

Type	Suction pad retainer		Suspension bolt
	SAS	SAK	
FSLSE 120x300 ... FSLSE 200x750	SAS-M20x1,5-M16	---	FS ... -M16x1,5*

\* Double connection, mounted with 2 suspension bolts