

Structure suction plate, round

FSM 100 - FSM 320

FEZER
Simply move more.

Description

Flat suction plate with aluminum body in round design with pushed-in froth-rubber sealing and studded pad. The suction pad has a very soft sealing and is available with central (Z) or lateral (S) vacuum feed. The sealing can be easily exchanged when worn out. The pad is fastened with a connection nipple. Please order the connection nipple separately.

Application

- workpieces with very rough or structured surface, like raw wooden boards
- structures up to 3 mm height possible
- increased contact pressure required for suction



FSM 100-Z ... FSM 320-S

Article numbers

Type	Suction plate M-G	Replacement sealing M-G	Replacement pad NBR-S	Connection screw	
				Type	Art.-Nr:
FSM 100-Z	1.11.1.0163	2.13.2.0043	2.13.2.0005	ASB-M16-20	1.31.2.0084
FSM 100-S	1.11.1.0523	2.13.2.0043	2.13.2.0005	AS-M16-22	1.31.2.0035
FSM 160-Z	1.11.1.0164	2.13.2.0046	2.13.2.0007	ASB-M16-20	1.31.2.0084
FSM 160-S	1.11.1.0522	2.13.2.0046	2.13.2.0007	AS-M16-22	1.31.2.0035
FSM 210-Z	1.11.1.0165	2.13.2.0048	2.13.2.0008	ASB-M16-20	1.31.2.0084
FSM 210-S	1.11.1.0521	2.13.2.0048	2.13.2.0008	AS-M16-22	1.31.2.0035
FSM 320-Z	1.11.1.0166	2.13.2.0050	2.13.2.0008	ASB-M16-20	1.31.2.0084
FSM 320-S	1.11.1.0520	2.13.2.0050	2.13.2.0008	AS-M16-22	1.31.2.0035

Technical details

Type	Holding force* (N)	Volume** (l)	Weight (kg)
FSM 100-Z/S	300	0,04	0,6
FSM 160-Z/S	900	0,05	0,8
FSM 210-Z/S	1.550	0,13	1,2
FSM 320-Z/S	3.580	0,33	3,4

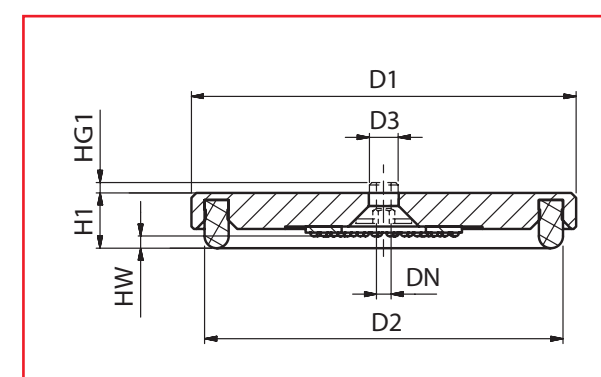
* Specifications at 60 % vacuum w/o safety factor, on smooth, dry surfaces

** Volume with suction pad not engaged and unloaded

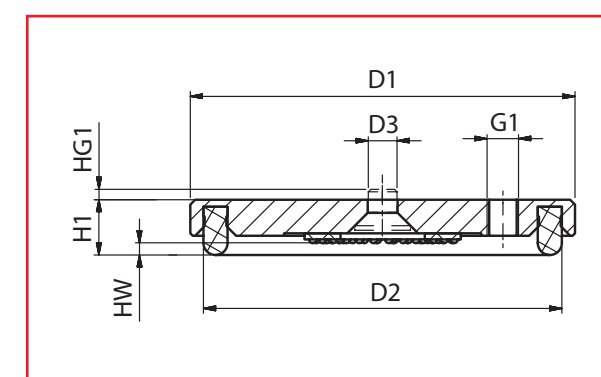
Structure suction plate, round

FSM 100 - FSM 320

FEZER
Simply move more.



FSM 100-Z ... FSM 320-Z



FSM 100-S ... FSM 320-S

Dimensions

Type	D1	D2	D3	HW	H1	HG1	G1
FSM 100-Z	100	90	16,2	3	18	10	---
FSM 100-S	100	90	16,2	3	18	10	G1/4
FSM 160-Z	160	150	16,2	3	18	10	---
FSM 160-S	160	150	16,2	3	18	10	G1/4
FSM 210-Z	206	195	16,2	3	18	10	---
FSM 210-S	206	195	16,2	3	18	10	G3/8
FSM 320-Z	312	300	16,2	4	26	10	---
FSM 320-S	312	300	16,2	4	26	10	G1/2

Suitable connection elements

Type	Suction pad retainer		Suspension bolt
	SAS	SAK	
FSM 100 ... FSM 160	SAS-M16x1,5-M16	SAK-M16x1,5-M16	FSB/FSH-M16x1,5
FSM 210 ... FSM 320	SAS-M20x1,5-M16	SAK-M20x1,5-M16	FSB/FSH-M20x1,5