

Ejectors

Basic ejector with integrated blow-off impulse FEG-AI

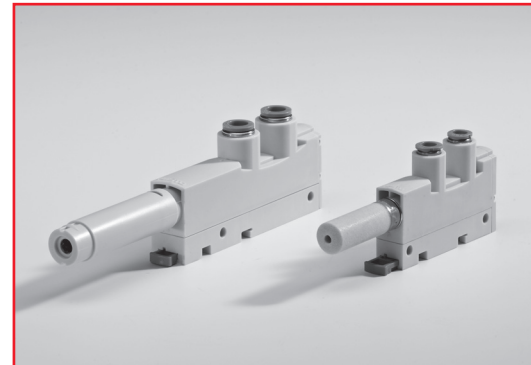
FEZER
Simply move more.

Description

Low-weight basic ejector in stable plastic housing with integrated blow-off impulse. When the compressed air feed stops an integrated safety tank supplies a brief blow-off impulse, which releases engaged workpieces quickly. There are 4 powers available with either high grade of evacuation (HV) or high suction volume (HS). With plug-connection. The ejectors can be either screwed in or fastened to flat bars.

Application

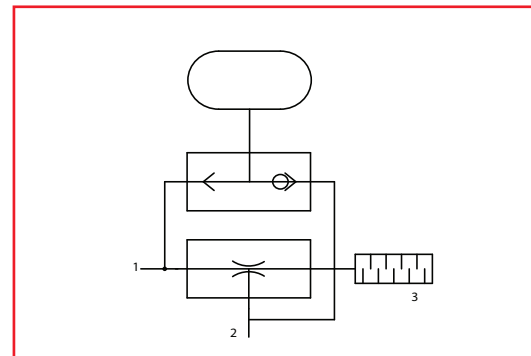
- handling tasks with high dynamic requirements and short cycle times
- control of different suction circuits
- in connection with separate pneumatic valves or valve islands
- any mounting position



FEG-AI-05 ... FEG-AI-30

Article number

Type	Article number
FEG-AI-05-HV	1.44.1.0055
FEG-AI-05-HS	1.44.1.0069
FEG-AI-07-HV	1.44.1.0072
FEG-AI-07-HS	1.44.1.0073
FEG-AI-10-HV	1.44.1.0075
FEG-AI-10-HS	1.44.1.0077
FEG-AI-15-HV	1.44.1.0079
FEG-AI-15-HS	1.44.1.0081



Schaltbild FEG-VS

- 1 Compressed air connection
- 2 Vacuum connection
- 3 Exhaust

Ejectors

Basic ejector with integrated blow-off impulse FEG-AI

FEZER
Simply move more.

Technical data

Type	Vacuum* (mbar)	Suction volume* (m³/h)		Air consumption* (m³/h)		Pressure** (bar)		Noise level* dB (A)	Temp. (°C)	Weight (kg)
		(l/s)	(l/s)	(l/s)	(l/s)	max.	opt.			
FEG-AI-05-HV	-920	0,43	0,12	0,54	0,15	2 ... 8	4	49	0 ... +60	0,060
FEG-AI-05-HS	-800	0,82	0,23	1,01	0,28	2 ... 8	5	50	0 ... +60	0,060
FEG-AI-07-HV	-920	0,97	0,27	1,26	0,35	2 ... 8	4	61	0 ... +60	0,065
FEG-AI-07-HS	-680	1,85	0,52	1,50	0,42	2 ... 8	5	62	0 ... +60	0,065
FEG-AI-10-HV	-930	1,31	0,36	2,28	0,63	2 ... 8	4	65	0 ... +60	0,090
FEG-AI-10-HS	-700	2,43	0,68	2,76	0,77	2 ... 8	5	68	0 ... +60	0,090
FEG-AI-15-HV	-920	2,93	0,81	4,92	1,37	2 ... 8	4	65	0 ... +60	0,100
FEG-AI-15-HS	-730	5,56	1,54	6,00	1,67	2 ... 8	5	69	0 ... +60	0,100

* at optimum pressure,

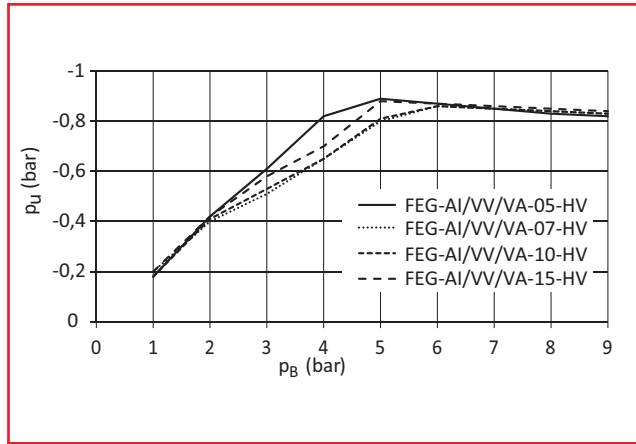
** dry, filtered, oil-free compressed air

Evacuation and ventilation time (s) for 1l volume

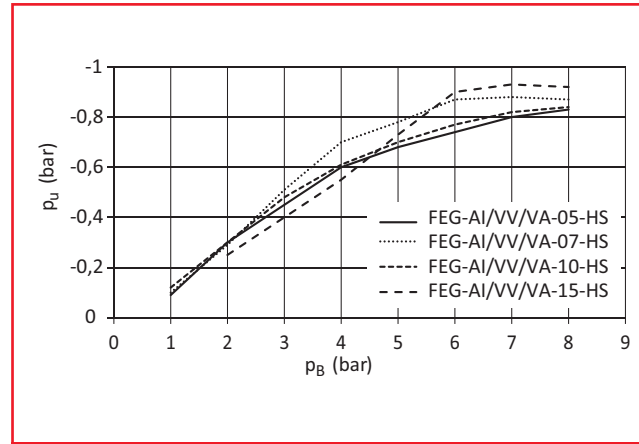
Type	Vacuum level (mbar)									Ventilation time at max. vacuum level
	-100	-200	-300	-400	-500	-600	-700	-800	-900	
FEG-AI-05-HV	0,8	1,6	2,8	4,1	5,4	7,8	12,2	21,8	---	0,02
FEG-AI-05-HS	0,4	0,8	1,2	1,8	2,6	4,5	7,5	---	---	0,02
FEG-AI-07-HV	0,6	0,8	1,0	1,2	1,8	3,6	4,8	6,8	---	0,02
FEG-AI-07-HS	0,3	0,4	0,8	1,0	1,3	1,8	3,9	---	---	0,02
FEG-AI-10-HV	0,5	0,6	0,8	1,0	1,4	1,8	2,9	5,2	---	0,02
FEG-AI-10-HS	0,1	0,2	0,35	0,5	0,75	1,05	1,6	3,2	---	0,01
FEG-AI-15-HV	0,2	0,25	0,3	0,5	0,7	1,0	1,5	2,2	---	0,01
FEG-AI-15-HS	0,05	0,1	0,15	0,2	0,3	0,45	0,6	0,9	---	0,01

Ejectors

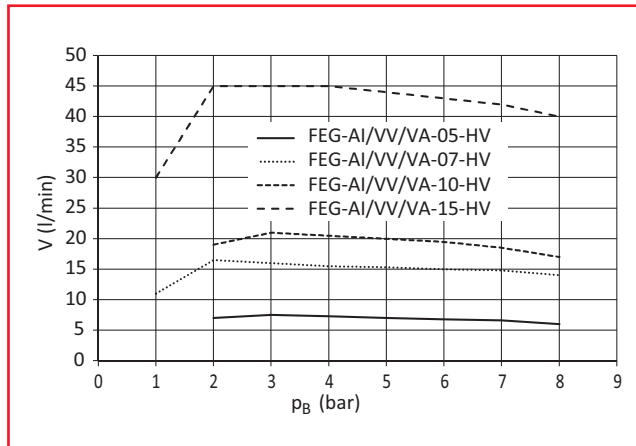
Basic ejector with integrated blow-off impulse FEG-AI



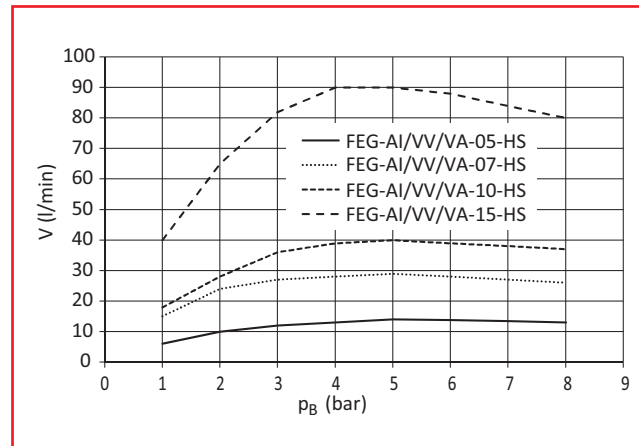
Vacuum level FEG-AI-HV at different pressures



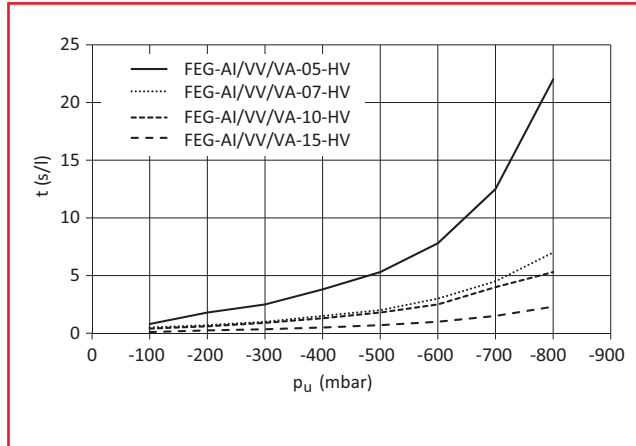
Vacuum level FEG-AI-HS at different pressures



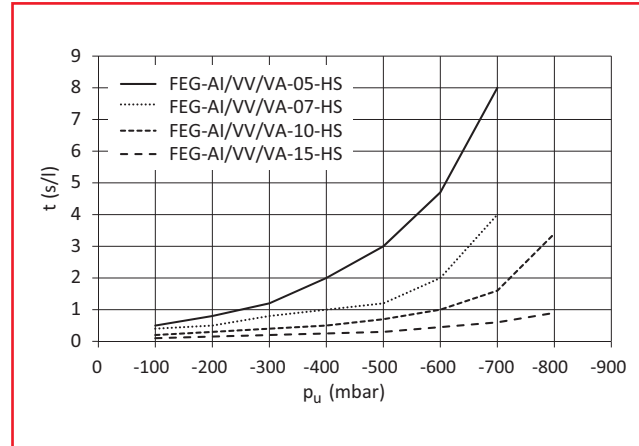
Suction volume FEG-AI-HV at different pressures



Suction volume FEG-AI-HS at different pressures



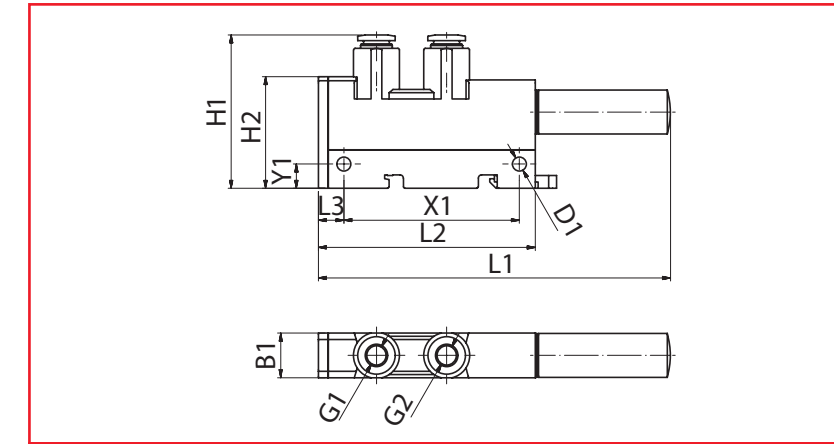
Evacuation time FEG-AI-HV at different grades of evacuation



Evacuation time FEG-AI-HS at different grades of evacuation

Ejectors

Basic ejector with integrated blow-off impulse FEG-AI



FEG-AI-05-GA ... FEG-AI-15-GA

Dimensions

Type	L1	L2	L3	B1	H1	H2	D1	X1	Y1	G1	G2
FEG-AI-05-HV/HS	110	68	8	14	48	35	4,4	55	7,6	6	6
FEG-AI-07-HV/HS	119	68	8	14	48	35	4,4	55	7,6	6	6
FEG-AI-10-HV/HS	119	68	8	14	48	35	4,4	55	7,6	6	6
FEG-AI-15-HV/HS	166	98	8,7	18	50	39	4,4	63	7,5	8	8