

Ejectors

Basic ejector with integrated vacuum valve FEG-VV

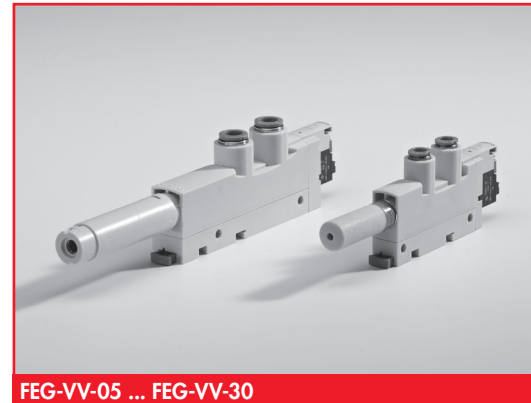
FEZER
Simply move more.

Description

Basic ejector made of a stable plastic housing with integrated vacuum valve. The vacuum valve can directly control the ejector. When the compressed air feed stops an integrated safety tank supplies a brief blow-off impulse, which releases engaged workpieces quickly. Available in 6 powers with either high grade of evacuation (HV) or high suction volume (HS). With plug-in connections. The ejectors can be either screwed in or fastened to flat bars.

Application

- Applications with highly dynamic requirements
- direct control of suction pads by ejector
- any mounting position



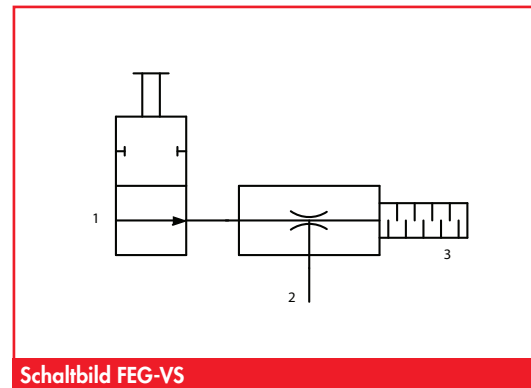
FEG-VV-05 ... FEG-VV-30

Article number

Type	
FEG-VV-05-HV	1.44.1.0082
FEG-VV-05-HS	1.44.1.0083
FEG-VV-07-HV	1.44.1.0084
FEG-VV-07-HS	1.44.1.0085
FEG-VV-10-HV	1.44.1.0086
FEG-VV-10-HS	1.44.1.0087
FEG-VV-15-HV	1.44.1.0088
FEG-VV-15-HS	1.44.1.0089
FEG-VV-20-HV	1.44.1.0090
FEG-VV-30-HV	1.44.1.0091

Electrical data of solenoid valve

Operating voltage range:	(V DC)	21,6 ... 26,4
Switch-on time:	(%)	100
Safety class		IP40
Valve function:		2/2-ways valve
Supplementary hand operation		push-button
Electrical connection		plug



Schaltbild FEG-VS

- 1 Compressed air connection
- 2 Vacuum connection
- 3 Exhaust

Ejectors

Basic ejector with integrated vacuum valve FEG-VV

FEZER
Simply move more.

Technical data

Type	Vacuum* (mbar)	Suction volume*		Air consumption*		Pressure** (bar)		Noise level* (dB (A))	Temp. (°C)	Weight (kg)
		(m³/h)	(l/s)	(m³/h)	(l/s)	max.	opt.			
FEG-VV-05-HV	-920	0,43	0,12	0,54	0,15	2 ... 8	4	49	0 ... +60	0,060
FEG-VV-05-HS	-800	0,82	0,23	0,60	0,17	2 ... 8	5	50	0 ... +60	0,060
FEG-VV-07-HV	-920	0,97	0,27	1,26	0,35	2 ... 8	4	61	0 ... +60	0,065
FEG-VV-07-HS	-680	1,85	0,52	1,50	0,42	2 ... 8	5	62	0 ... +60	0,065
FEG-VV-10-HV	-930	1,31	0,36	2,28	0,63	2 ... 8	4	65	0 ... +60	0,090
FEG-VV-10-HS	-700	2,43	0,68	2,76	0,77	2 ... 8	5	68	0 ... +60	0,090
FEG-VV-15-HV	-920	2,93	0,81	4,92	1,37	2 ... 8	4	65	0 ... +60	0,100
FEG-VV-15-HS	-730	5,56	1,54	6,00	1,67	2 ... 8	5	69	0 ... +60	0,100
FEG-VV-20-HV	-900	5,88	1,63	14,10	3,92	2 ... 8	4	73	0 ... +60	0,220
FEG-VV-30-HV	-910	11,16	3,10	28,80	8,00	2 ... 8	4	76	0 ... +60	0,225

* at optimum pressure,

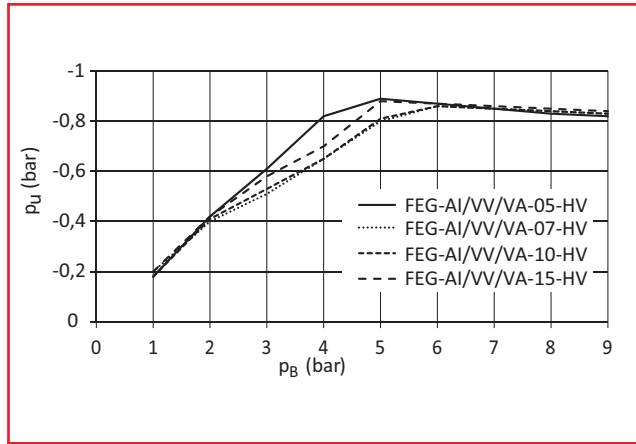
** dry, filtered, oil-free compressed air

Evacuation and ventilation time (s) for 1l volume

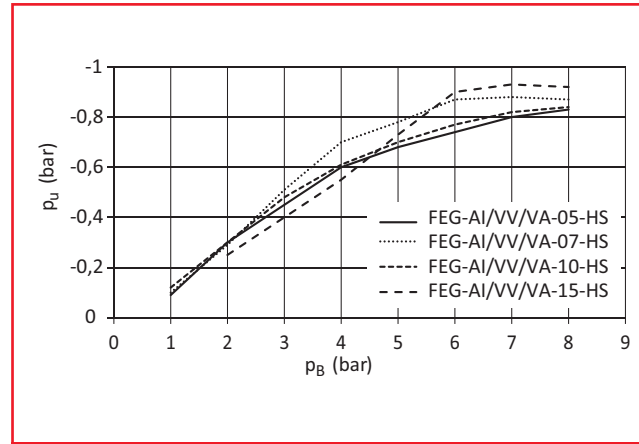
Type	Vacuum level (mbar)								Ventilation time at max. vacuum level
	-100	-200	-300	-400	-500	-600	-700	-800	
FEG-05-HV	0,8	1,6	2,8	4,1	5,4	7,8	12,2	21,8	0,12
FEG-05-HS	0,4	0,8	1,2	1,8	2,6	4,5	7,5	---	0,07
FEG-07-HV	0,6	0,8	1,0	1,2	1,8	3,6	4,8	6,8	0,09
FEG-07-HS	0,3	0,4	0,8	1,0	1,3	1,8	3,9	---	0,06
FEG-10-HV	0,5	0,6	0,8	1,0	1,4	1,8	2,9	5,2	0,06
FEG-10-HS	0,1	0,2	0,35	0,5	0,75	1,05	1,6	---	0,05
FEG-15-HV	0,2	0,25	0,3	0,5	0,7	1,0	1,5	2,2	0,05
FEG-15-HS	0,05	0,1	0,15	0,2	0,3	0,45	0,6	---	0,04
FEG-20-HV	0,05	0,1	0,15	0,25	0,35	0,5	0,7	1,0	0,04
FEG-30-HV	0,05	0,06	0,08	0,1	0,2	0,3	0,4	0,55	0,03

Ejectors

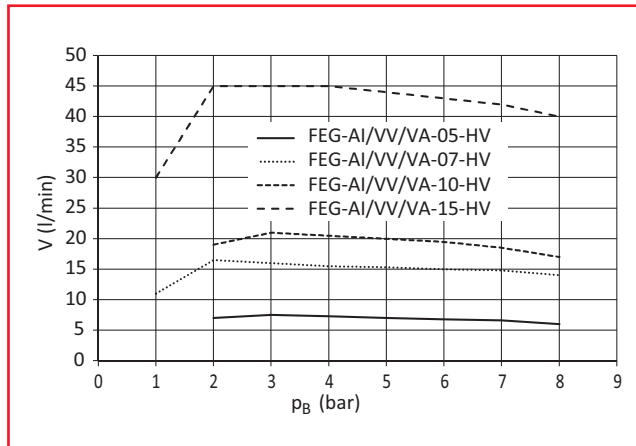
Basic ejector with integrated vacuum valve FEG-VV



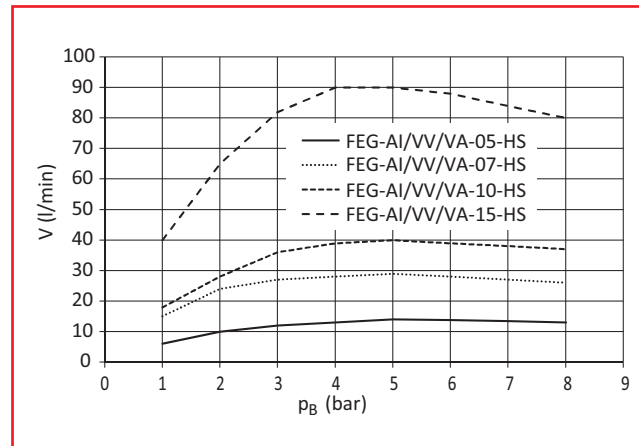
Vacuum level FEG-VV-HV at different pressures



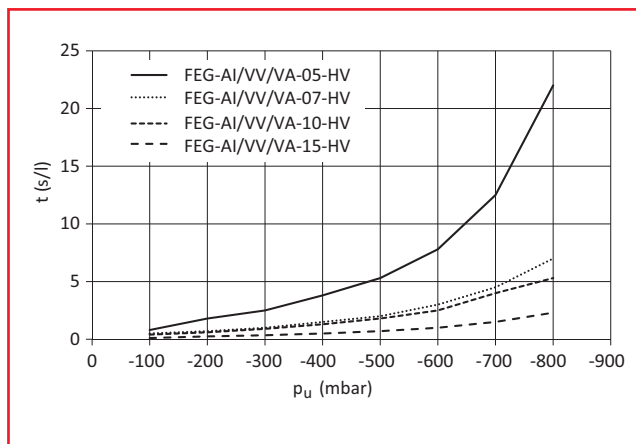
Vacuum level FEG-VV-HS at different pressures



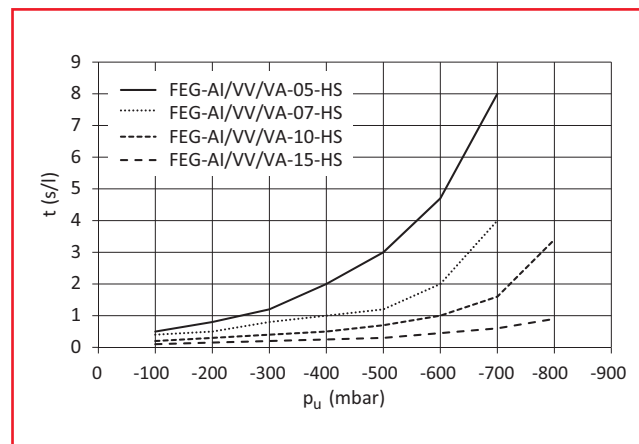
Suction volume FEG-VV-HV at different pressures



Suction volume FEG-VV-HS at different pressures



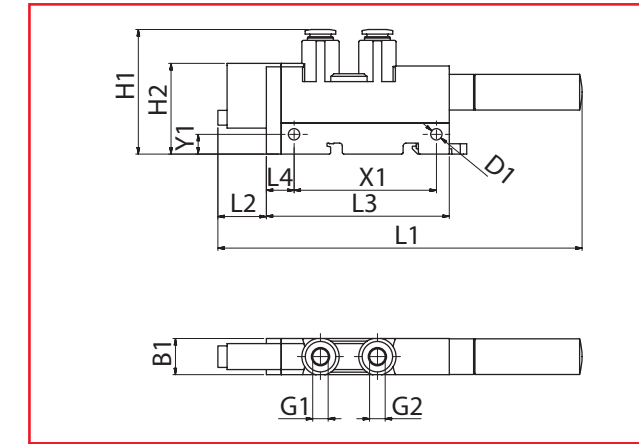
Evacuation time FEG-VV-HV at different grades of evacuation



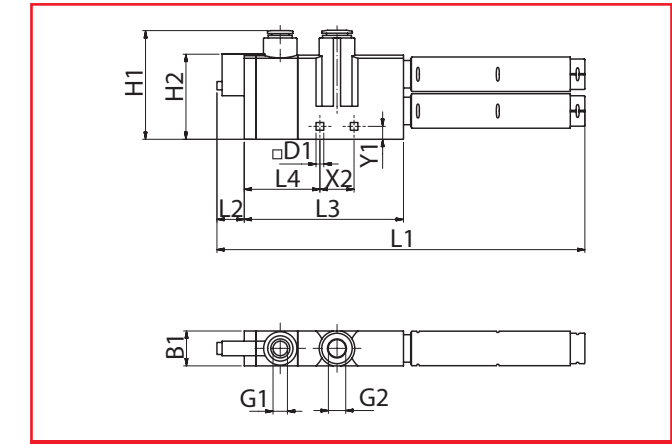
Evacuation time FEG-VV-HS at different grades of evacuation

Ejectors

Basic ejector with integrated vacuum valve FEG-VV



FEG-VV-05- ... FEG-VV-15-



FEG-VV-20- ... FEG-VV-30-

Dimensions

Type	L1	L2	L3	L4	B1	H1	H2	D1	X1	Y1	G1	G2
FEG-VV-05-HV/HS	110	14	68	8	14	48	32,5	4,4	55	7,6	6	6
FEG-VV-07-HV/HS	119	14	68	8	14	48	32,5	4,4	55	7,6	6	6
FEG-VV-10-HV/HS	119	14	68	8	14	48	32,5	4,4	55	7,6	6	6
FEG-VV-15-HV/HS	166	15	98	8,7	18	50	34	4,4	63	4,5	8	8
FEG-VV-20-HV	253	18,5	110	52	24	75	60	5,3	23,5	9	10	12
FEG-VV-30-HV	253	18,5	110	52	24	75	60	5,3	23,5	9	10	12