

Ejectors

Multi-stage ejector FEM

Description

Robust and powerful multi-stage ejector in modular design. Depending on the power requirements this ejector can be upgraded with up to 6 three-stage nozzles. The modular design allows to configure the ejector at any time and adjust it to altered requirements. The ejector consists of a low-weight plastic housing and is supplied with a silencer.

Application

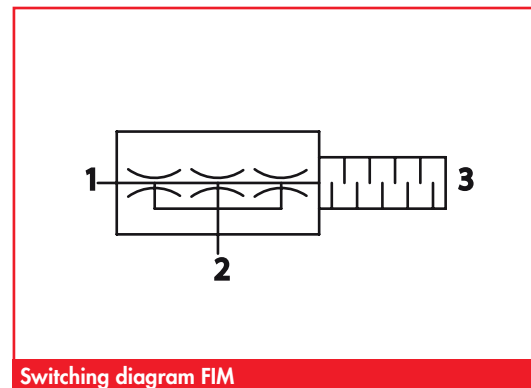
- evacuation of large volumes
- handling of porous materials
- any mounting position

Article number

Type		Silencer
FEM-6	1.44.2.0011	2.44.2.0003
FEM-12	1.44.2.0012	2.44.2.0003
FEM-18	1.44.2.0013	2.44.2.0003
FEM-24	1.44.2.0014	2.44.2.0003



FEM-6 ... FEM-36



Switching diagram FIM

- 1 Compressed air connection
- 2 Vacuum connection
- 3 Exhaust

FEZER
Simply move more.

Ejectors

Multi-stage ejector FEM

Technical data

Type	Vacuum* (mbar)	Suction volume*		Air consumption*		Pressure** (bar)		Noise level* dB (A)	Temperature (°C)	Weight (kg)
		(m³/h)	(l/s)	(m³/h)	(l/s)	max.	opt.			
FEM-6	-750	21,6	6	0,49	1,75	7	6	60 ... 77	-10 ... 60	0,67
FEM-12	-750	43,2	12	0,97	3,50	7	6	60 ... 77	-10 ... 60	0,72
FEM-18	-750	64,8	18	1,46	5,25	7	6	60 ... 77	-10 ... 60	0,89
FEM-24	-750	86,4	24	1,94	7,00	7	6	60 ... 77	-10 ... 60	0,94

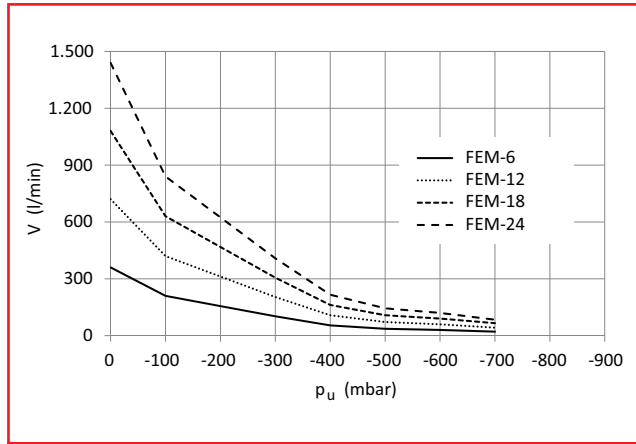
* at optimum pressure,

** dry, filtered, oil-free compressed air

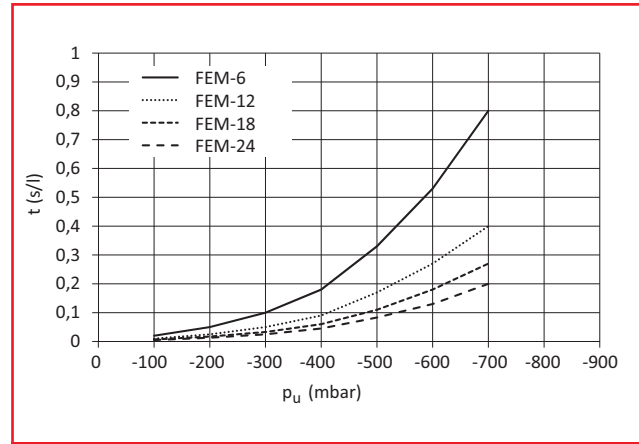
Evacuation and ventilation time (s) for 1l volume

Type	Vacuum level (mbar)									Ventilation time at max. vacuum level
	-100	-200	-300	-400	-500	-600	-700	-800	---	
FEM-6	0,02	0,05	0,10	0,20	0,30	0,50	0,80	---	---	0,48
FEM-12	0,01	0,03	0,05	0,09	0,20	0,30	0,40	---	---	0,25
FEM-18	0,01	0,02	0,03	0,06	0,10	0,20	0,30	---	---	0,18
FEM-24	0,01	0,01	0,02	0,04	0,08	0,10	0,20	---	---	0,10

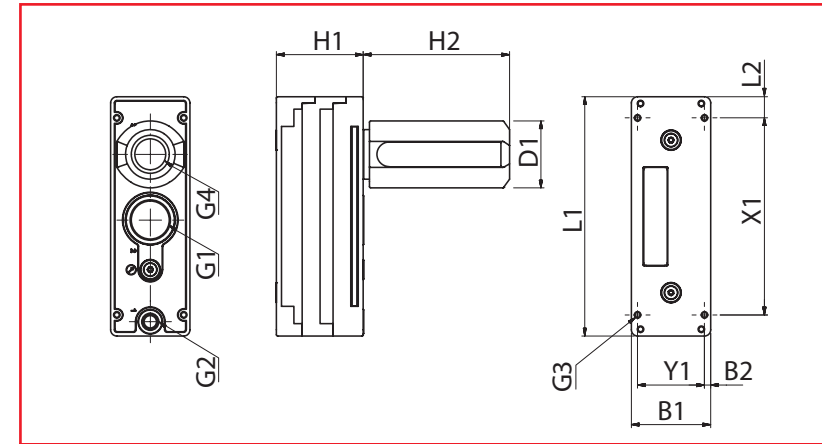
FEZER
Simply move more.



Suction volume FEM- at different grades of evacuation



Evacuation time FEM- at different grades of evacuation



FEM-6 ... FEM-24

Dimensions

Type	L1	L2	B1	B2	H1	H2	X1	Y1	G1	G2	G3	G4
FEM-6	198	17	64	5	46	118	159	49	G1/8	G3/4	4	G1
FEM-12	198	17	64	5	46	118	159	49	G1/8	G3/4	4	G1
FEM-18	198	17	64	5	70	118	159	49	G1/8	G3/4	4	G1
FEM-24	198	17	64	5	70	118	159	49	G1/8	G3/4	4	G1