

Ejectors

Inline ejector FIM

Description

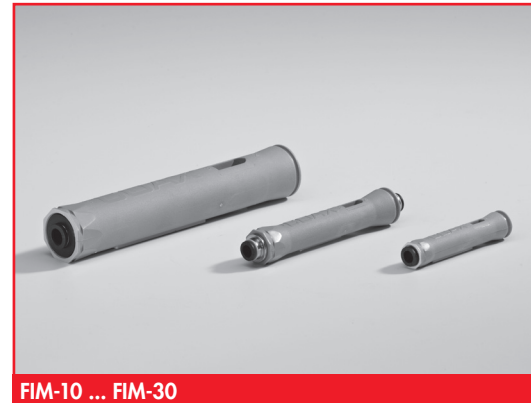
Low-weight multi-stage inline ejector in solid plastic design for direct installation in hose lines. The multi-stage nozzle geometry allows a very quick vacuum with relatively little air consumption. Quick and simple installation of the ejectors by plug connections. There are 3 powers available.

Application

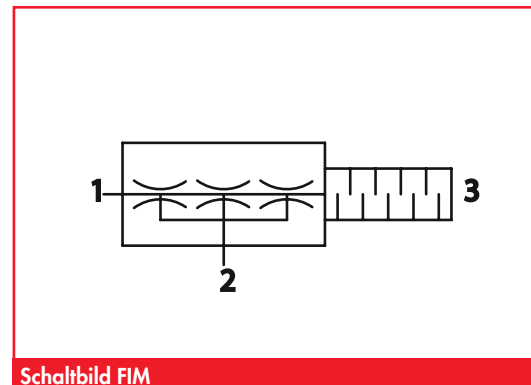
- direct installation in hose lines
- use for handling systems with different occupancy grades
- evacuation of larger volumes
- any mounting position

Article number

Type	Article number
FIM-10-HV	1.44.2.0008
FIM-20-HV	1.44.2.0009
FIM-30-HV	1.44.2.0010



FIM-10 ... FIM-30



Schaltbild FIM

- 1 Compressed air connection
- 2 Vacuum connection
- 3 Exhaust

Ejectors

Inline ejector FIM

Technical data

Type	Vacuum* (mbar)	Suction volume*		Air consumption*		Pressure** (bar)		Noise level* dB (A)	Temperature (°C)	Weight (kg)
		(m³/h)	(l/s)	(m³/h)	(l/s)	max.	opt.			
FIM-10-HV	-840	1,15	0,32	0,97	0,27	2 ... 8	4,0	64 ... 80	0 ... +60	0,010
FIM-20-HV	-900	2,05	0,57	1,58	0,44	2 ... 8	3,1	69 ... 85	0 ... +60	0,030
FIM-30-HV	-900	9,72	2,70	6,58	1,83	2 ... 8	3,0	90 ... 98	0 ... +60	0,090

* at optimum pressure

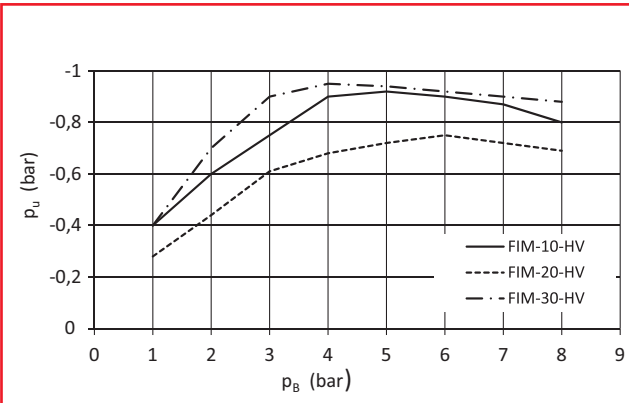
** dry, filtered, oil-free compressed air

Evacuation and ventilation time (s) for 1l volume

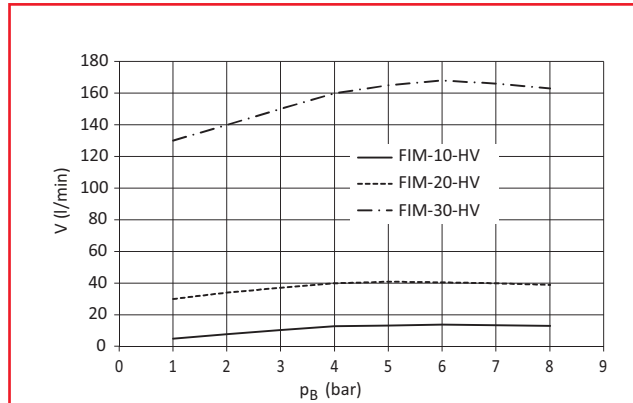
Type	Vacuum level (mbar)								Ventilation time at max. vacuum level
	-100	-200	-300	-400	-500	-600	-700	-800	
FIM-10-HV	0,33	0,73	1,20	2,00	3,10	5,00	8,30	16,60	6,2
FIM-20-HV	0,20	0,46	0,83	1,10	1,80	2,70	4,00	6,40	2,0
FIM-30-HV	0,04	0,10	0,18	0,30	0,48	0,71	1,05	1,85	0,6

Ejectors

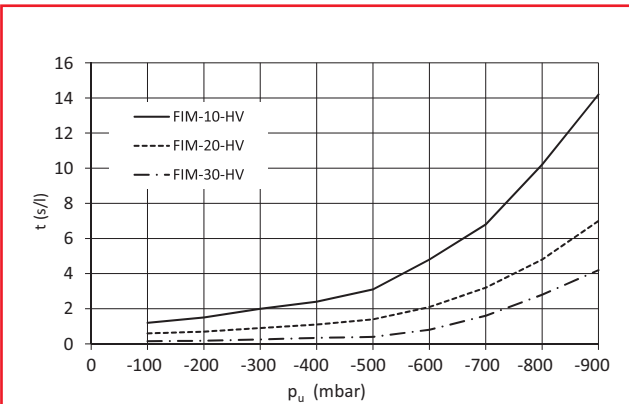
Inline ejector FIM



Vacuum level FIM-HV at different operating pressures



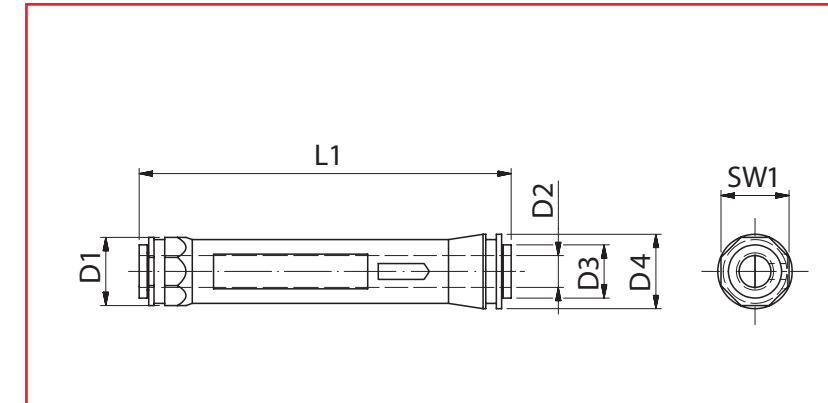
Suction volume FIM-HV at different operating pressures



Evacuation time FIM-HV at different grades of evacuation

Ejectors

Inline ejector FIM



FIM-10 ... FIM-30

Dimensions

Type	L1	D1	D2	D3	D4	SW1
FIM-10-HV	70	6	6	10	14,2	14
FIM-20-HV	96	8	8	15	19,4	19
FIM-30-HV	155	8	12	20	28,1	28