

## Ejectors

### Inline ejector FIS

#### Description

Low-weight inline ejector in stable plastic design for direct installation in hose lines.  
Installation with plug connections which allow a simple and quick mounting of the ejectors.

#### Application

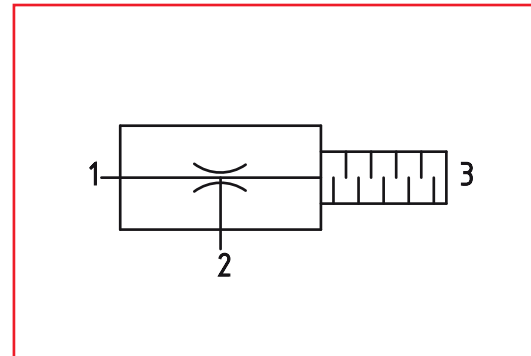
- for direct installation in hose lines
- use in handling systems with different occupancy grades
- evacuation of small volumes
- any mounting position



FIS-05 ... FIS-10

#### Article number

Type	Article number
FIS-05	1.44.1.0067
FIS-07	1.44.1.0061
FIS-10	1.44.1.0068



Schaltbild FIS

- 1 Compressed air connection
- 2 Vacuum connection
- 3 Exhaust

## Ejectors

### Inline ejector FIS

#### Technical data

Type	Vacuum* (mbar)	Suction volume*		Air consumption*		Pressure** (bar)		Noise level* dB (A)	Temperature (°C)	Weight (kg)
		(m³/h)	(l/s)	(m³/h)	(l/s)	max.	opt.			
FIS-05	-860	0,37	0,10	0,72	0,19	2 ... 8	5,0	57	0 ... +60	0,005
FIS-07	-860	0,81	0,22	1,66	0,45	2 ... 8	5,0	62	0 ... +60	0,005
FIS-10	-860	1,68	0,47	3,46	0,96	2 ... 8	5,0	71	0 ... +60	0,010

\* at optimum pressure

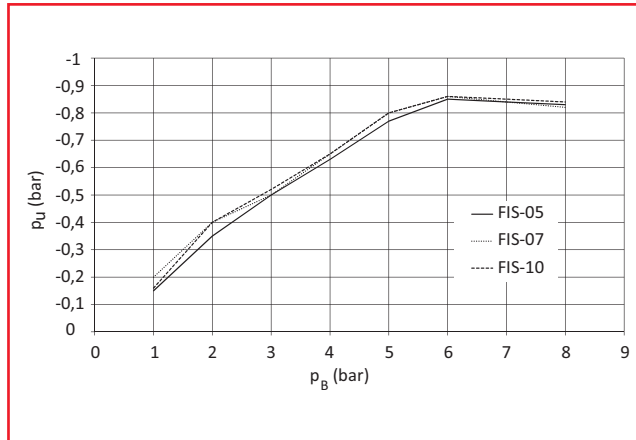
\*\* dry, filtered, oil-free compressed air

#### Evacuation and ventilation time (s) for 1l volume

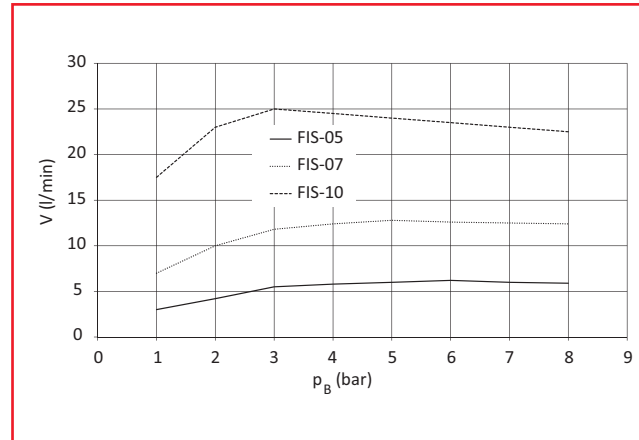
Type	Vacuum level (mbar)									Ventilation time at max. vacuum level
	-100	-200	-300	-400	-500	-600	-700	-800		
FIS-05	1,1	1,5	3,0	4,3	6,0	9,0	12,5	18,4	4,7	
FIS-07	1,0	1,1	1,5	2,3	2,9	4,0	6,1	9,3	2,1	
FIS-10	0,2	0,4	0,7	1,0	1,4	1,9	2,9	4,7	0,96	

# Ejectors

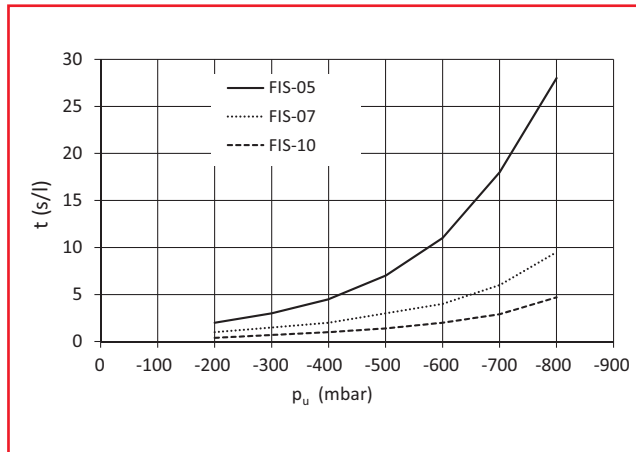
## Inline ejector FIS



Vacuum level FIS-HV at different operating pressures



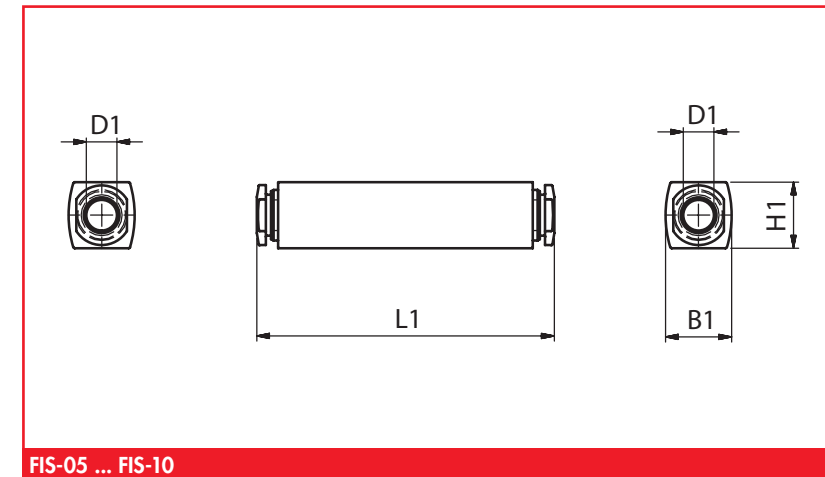
Suction volume FIS-HV at different operating pressures



Evacuation time FIS-HV at different grades of evacuation

# Ejectors

## Inline ejector FIS



FIS-05 ... FIS-10

### Dimensions

Type	L1	B1	H1	D1
FIS-05	58,6	13	13	6
FIS-07	58,6	13	13	6
FIS-10	66,1	13	22	6