

Vacuum Pumps

Vacuum energy unit with oil-lubricated pump VEE ... 0

FEZER
Simply move more.

Description

The vacuum energy unit is wired ready-for-connection and consists of a vacuum tank with mounted oil-lubricated vacuum pump with integrated filter, non-return valve, additional vacuum filter, vacuum gauge and a 2/2-ways shut-off cock.

Options

- additional vacuum filter and water separator
- motor protection switch, vacuum-controlled motor switch
- other voltages on request

Application

- roboter applications and linear axes
- central vacuum supply for several work stations
- applications with extremely short cycle times



VEE-15L-016 ... VEE-200L-0160

Article number

Type		Additional vacuum filter		Additional water separator		Motor prot. switch*	Vacuum-controlled motor switch**
VEE-15L-010.1	1.42.1.0008	VF-3/4	1.53.2.0006	WA-3/4	1.53.4.0002	6.35.7.0003	6.35.4.0272
VEE-50L-016.1	1.42.1.0018	VF-1	1.53.2.0014	WA-1	1.53.4.0006	6.35.7.0004	6.35.4.0273
VEE-50L-025.3EURO	1.42.1.0019	VF-1	1.53.2.0014	WA-1	1.53.4.0006	6.35.7.0000	6.35.4.0274
VEE-50L-025.3MULTI	1.42.1.0043	VF-1	1.53.2.0014	WA-1	1.53.4.0006	6.35.7.0000	6.35.4.0274
VEE-100L-025.3EURO	1.42.1.0004	VF-11/4A	1.53.2.0003	WA-11/4	1.53.4.0004	6.35.7.0000	6.35.4.0274
VEE-100L-025.3MULTI	1.42.1.0052	VF-11/4A	1.53.2.0003	WA-11/4	1.53.4.0004	6.35.7.0000	6.35.4.0274
VEE-100L-040.3EURO	1.42.1.0005	VF-11/4A	1.53.2.0003	WA-11/4	1.53.4.0004	6.35.7.0000	6.35.4.0275
VEE-100L-040.3MULTI	1.42.1.0071	VF-11/4A	1.53.2.0003	WA-11/4	1.53.4.0004	6.35.7.0000	6.35.4.0275
VEE-100L-063.3EURO	1.42.1.0006	VF-11/4A	1.53.2.0003	WA-11/4	1.53.4.0004	6.35.7.0001	6.35.4.0276
VEE-100L-063.3MULTI	1.42.1.0074	VF-11/4A	1.53.2.0003	WA-11/4	1.53.4.0004	6.35.7.0001	6.35.4.0276
VEE-100L-0100.3EURO	1.42.1.0001	VF-11/4A	1.53.2.0003	WA-11/4	1.53.4.0004	6.35.7.0001	6.35.4.0277
VEE-100L-0100.3MULTI	1.42.1.0077	VF-11/4A	1.53.2.0003	WA-11/4	1.53.4.0004	6.35.7.0001	6.35.4.0277
VEE-200L-040.3EURO	1.42.1.0015	VF-11/4B	1.53.2.0004	WA-11/2	1.53.4.0005	6.35.7.0000	6.35.4.0275
VEE-200L-040.3MULTI	1.42.1.0085	VF-11/4B	1.53.2.0004	WA-11/2	1.53.4.0005	6.35.7.0000	6.35.4.0275
VEE-200L-063.3EURO	1.42.1.0016	VF-11/4B	1.53.2.0004	WA-11/2	1.53.4.0005	6.35.7.0001	6.35.4.0276
VEE-200L-063.3MULTI	1.42.1.0088	VF-11/4B	1.53.2.0004	WA-11/2	1.53.4.0005	6.35.7.0001	6.35.4.0276
VEE-200L-0100.3EURO	1.42.1.0010	VF-11/4B	1.53.2.0004	WA-11/2	1.53.4.0005	6.35.7.0001	6.35.4.0277
VEE-200L-0100.3MULTI	1.42.1.0091	VF-11/4B	1.53.2.0004	WA-11/2	1.53.4.0005	6.35.7.0001	6.35.4.0277
VEE-200L-0160.3EURO	1.42.1.0012	VF-11/4B	1.53.2.0004	WA-11/2	1.53.4.0005	6.35.7.0002	6.35.4.0278
VEE-200L-0160.3MULTI	1.42.1.0094	VF-11/4B	1.53.2.0004	WA-11/2	1.53.4.0005	6.35.7.0002	6.35.4.0278

* motor protection switch with housing for 400V, 50Hz

** vacuum generator is switched on and off depending on vacuum level (energy saving module).

Vacuum Pumps

Vacuum energy unit with oil-lubricated pump VEE ... 0

FEZER
Simply move more.

Technical data

Type	Vacuum (mbar)	Volumen (l)	Suction volume (m³/h)		Suction volume (l/s)		Rotation speed (1/min)		Oil q'ty (l)	Weight (kg)	Noise level dB (A)*
			50 Hz	60 Hz	50 Hz	60 Hz	50 Hz	60 Hz			
VEE-15L-010.1	-980	15	10	12	2,77	3,33	2800	3400	0,5	36	59
VEE-50L-016.1	-980	50	16	19	4,44	5,28	2700	3280	0,5	54	60
VEE-50L-025.3EURO	-980	50	25	---	6,94	---	1410	---	1,0	74	62
VEE-50L-025.3MULTI	-980	50	25	30	6,94	8,33	1435	1750	1,0	74	62
VEE-100L-025.3EURO	-980	50	25	---	6,94	---	1410	---	1,0	90	62
VEE-100L-025.3MULTI	-980	50	25	30	6,94	8,33	1435	1750	1,0	90	62
VEE-100L-040.3EURO	-980	100	40	---	11,11	---	1420	---	1,0	92	64
VEE-100L-040.3MULTI	-980	100	40	48	11,11	13,33	1440	1730	1,0	92	64
VEE-100L-063.3EURO	-980	100	63	---	17,50	---	1425	---	2,0	107	65
VEE-100L-063.3MULTI	-980	100	63	76	17,50	21,11	1450	1740	2,0	107	65
VEE-100L-0100.3EURO	-980	100	100	---	27,78	---	1445	---	2,0	126	67
VEE-100L-0100.3MULTI	-980	100	100	120	27,78	33,33	1450	1740	2,0	126	67
VEE-200L-040.3EURO	-980	200	40	---	11,11	---	1420	---	1,0	133	64
VEE-200L-040.3MULTI	-980	200	40	48	11,11	13,33	1440	1730	1,0	133	64
VEE-200L-063.3EURO	-980	200	63	---	17,50	---	1425	---	2,0	150	65
VEE-200L-063.3MULTI	-980	200	63	76	17,50	21,11	1450	1740	2,0	150	65
VEE-200L-0100.3EURO	-980	200	100	---	27,78	---	1445	---	2,0	170	67
VEE-200L-0100.3MULTI	-980	200	100	120	27,78	33,33	1450	1740	2,0	170	67
VEE-200L-0160.3EURO	-980	200	160	---	44,44	---	1460	---	6,0	230	70
VEE-200L-0160.3MULTI	-980	200	160	190	44,44	52,77	1475	1765	6,0	230	70

* Specification at 50 Hz

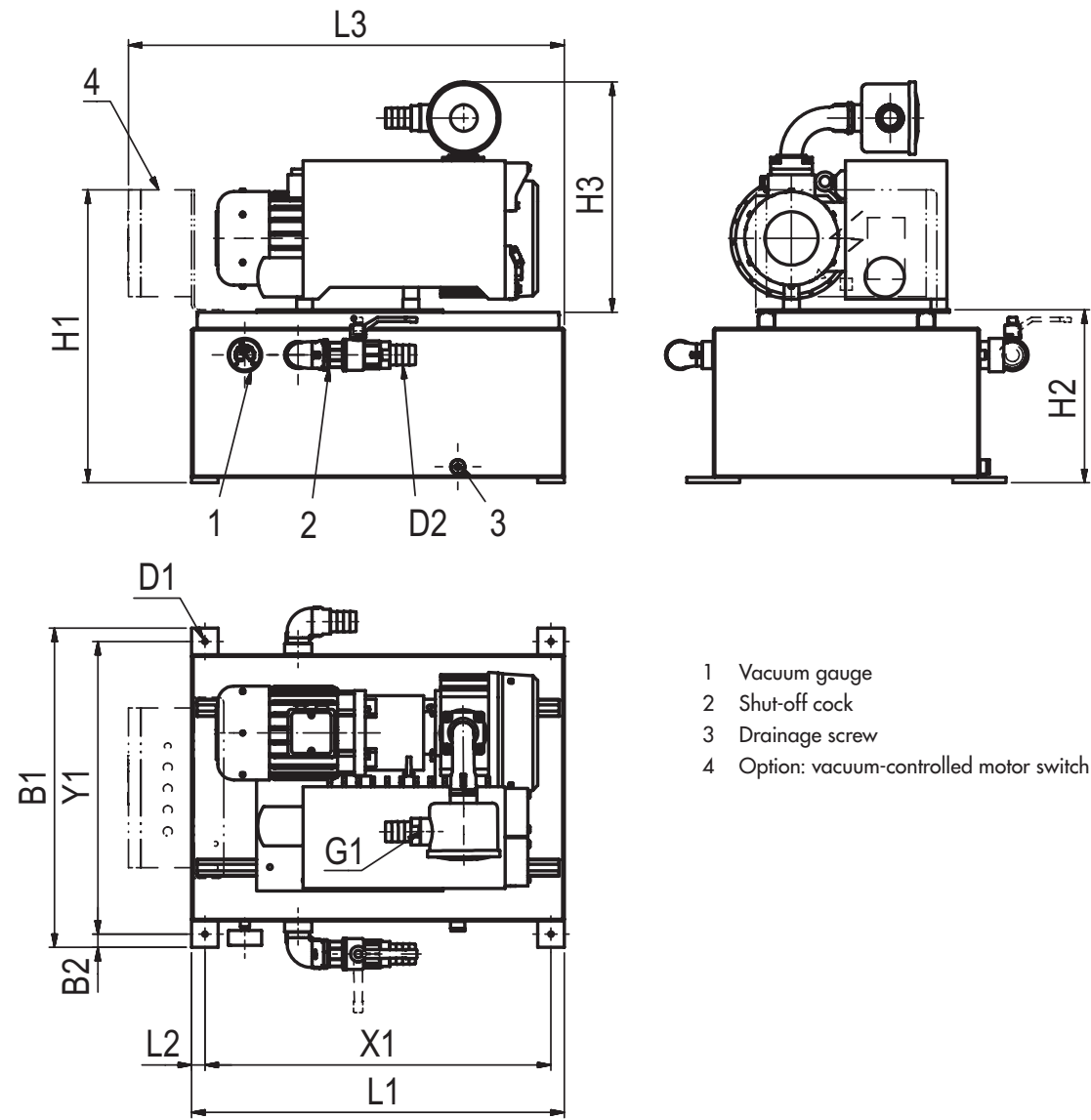
Electrical data

Type	Power (kW)		Voltage (V)		Current consumption (A)		Safety category	Efficiency category
	50 Hz	60 Hz	50 Hz	60 Hz	50 Hz	60 Hz		
VEE-15L-010.1	0,37	0,45	200-240/346-415	200-277/346-480	2,1/1,2	1,9/1,1	IP54	IE1
VEE-50L-016.1	0,55	0,65	200-240/345-420	200-277/346-480	2,6/1,5	2,6/1,5	IP54	IE1
VEE- ... -025.3EURO	0,75	---	200-240/345-420	---	3,2/1,9	---	IP54	IE2
VEE- ... -025.3MULTI	1,1	1,2	190-208/380-415	220-230/440-460	4,8/2,4	4,8/2,4	IP54	IE2
VEE- ... -040.3EURO	1,1	---	200-240/345-420	---	4,6/2,7	---	IP54	IE2
VEE- ... -040.3MULTI	1,5	1,7	190-208/380-415	220-230/440-460	7,0/3,5	6,6/3,3	IP54	IE2
VEE- ... -063.3EURO	1,5	---	200-240/345-420	---	5,8/3,3	---	IP54	IE2
VEE- ... -063.3MULTI	2,0	2,4	190-208/380-415	220-230/440-460	9,4/4,7	9,4/4,7	IP54	IE2
VEE- ... -0100.3EURO	2,2	---	200-240/345-420	---	8,6/5,0	---	IP54	IE2
VEE- ... -0100.3MULTI	2,7	3,4	190-208/380-415	220-230/440-460	11,8/5,9	12,4/6,2	IP54	IE2
VEE- ... -0160.3EURO	4,0	---	200-240/345-420	---	13,5/8,0	---	IP54	IE2
VEE- ... -0160.3MULTI	5,5	6,6	190-208/380-415	220-230/440-460	24,4/12,2	23,8/11,9	IP54	IE2

Vacuum Pumps

Vacuum energy unit with oil-lubricated pump VEE ... 0

FEZER
Simply move more.



- 1 Vacuum gauge
- 2 Shut-off cock
- 3 Drainage screw
- 4 Option: vacuum-controlled motor switch

VEE-15L-016 ... VEE-200L-0160

Vacuum Pumps

Vacuum energy unit with oil-lubricated pump VEE ... 0

FEZER
Simply move more.

Dimensions

Type	L1	L2	L3	B1	B2	H1	H2	H3	D1	D2	X1	Y1
VEE-15L-010.1	450	25	570	380	25	360	158	360	8,5	3/4"	400	330
VEE-50L-016.1	450	25	570	380	25	360	158	360	8,5	3/4"	400	330
VEE-50L-025.3EURO	450	25	570	380	25	360	158	471	8,5	3/4"	400	330
VEE-50L-025.3MULTI	450	25	570	380	25	360	158	471	8,5	3/4"	400	330
VEE-100L-025.3EURO	700	25	820	500	25	420	220	471	8,5	1"	650	450
VEE-100L-025.3MULTI	700	25	820	500	25	420	220	471	8,5	1"	650	450
VEE-100L-040.3EURO	700	25	820	500	25	420	220	471	8,5	1"	650	450
VEE-100L-040.3MULTI	700	25	820	500	25	420	220	471	8,5	1"	650	450
VEE-100L-063.3EURO	700	25	820	500	25	420	220	482	8,5	1"	650	450
VEE-100L-063.3MULTI	700	25	820	500	25	420	220	482	8,5	1"	650	450
VEE-100L-0100.3EURO	700	25	820	600	25	520	320	482	8,5	38	650	550
VEE-100L-0100.3MULTI	700	25	820	600	25	520	320	482	8,5	38	650	550
VEE-200L-040.3EURO	700	25	820	600	25	520	320	471	8,5	38	650	550
VEE-200L-040.3MULTI	700	25	820	600	25	520	320	471	8,5	38	650	550
VEE-200L-063.3EURO	700	25	820	600	25	520	320	482	8,5	38	650	550
VEE-200L-063.3MULTI	700	25	820	600	25	520	320	482	8,5	38	650	550
VEE-200L-0100.3EURO	1000	25	1120	800	25	540	338	482	11	38	950	750
VEE-200L-0100.3MULTI	1000	25	1120	800	25	540	338	482	11	38	950	750
VEE-200L-0160.3EURO	1000	25	1120	800	25	540	338	615	11	38	950	750
VEE-200L-0160.3MULTI	1000	25	1120	800	25	540	338	615	11	38	950	750