

Vacuum Pumps

Vacuum flat tanks VFS

FEZER
Simply move more.

Description

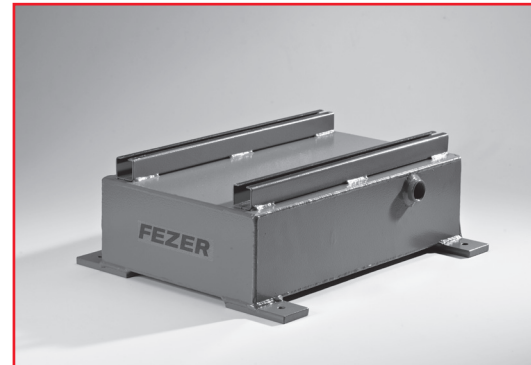
Vacuum flat tank made of a welded-steel construction with mounted vacuum gauge, non-return valve and 2/2-ways shut-off cock.

Options

- vacuum filter
- water separator

Application

- keeping up the vacuum in case of a power failure
- additional volume on applications with high cycle times
- any mounting position



VFS-15 ... VFS-200

Article number

Type		Additional vacuum filter		Additional water separator	
VSF-15L	1.42.0.0002	VF-3/4	1.53.2.0006	WA-3/4	1.53.4.0002
VSF-50L	1.42.0.0004	VF-1	1.53.2.0014	WA-1	1.53.4.0006
VSF-100L	1.42.0.0001	VF-11/4A	1.53.2.0003	WA-11/4	1.53.4.0004
VSF-200L	1.42.0.0003	VF-11/4B	1.53.2.0004	WA-11/2	1.53.4.0005

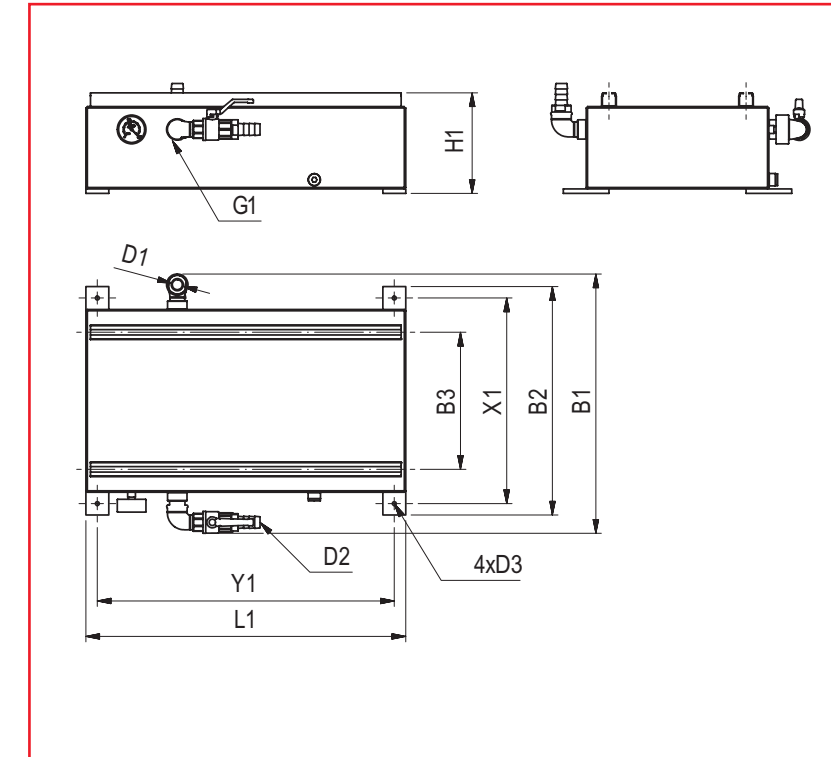
Technical data

Type	Volume (l)	Weight (kg)
VSF-15L	15	15
VSF-50L	50	30
VSF-100L	100	45
VSF-200L	200	90

Vacuum Pumps

Vacuum flat tank VFS

FEZER
Simply move more.



VFS-15 ... VFS-200

Dimensions

Type	L1	B1	B2	B3	H1	D1	D2	D3	G1	X1	Y2
VSF-15L	450	423	380	210	160	3/4	1/2	8,5	G3/4	330	400
VSF-50L	700	568	500	300	220	1	1	8,5	G1	450	650
VSF-100L	700	681	600	300	320	1 1/4	1 1/4	8,5	G1 1/4	550	650
VSF-200L	1000	913	800	300	340	1 1/4	1 1/4	11	G1 1/4	750	950