

Blowers

Silencer box SDB

Description

Silencer box made of laminated plastic and glued-in insulation material for belt-driven blowers (SKE- ...). The silencer box reduces the noise level by ca. 8 - 10 db(A)

Application:

- environments with low noise level requirements



SKVR- ...

Article number

Type	Article number
SDB-SKVR-170	4.26.3.0031
SDB-SKVR-280	4.26.3.0032

Technical data

Type	Weight (kg)	Noise level reduction dB (A) *
SDB-SKVR-170	21,0	- 10
SDB-SKVR-280	21,0	- 8

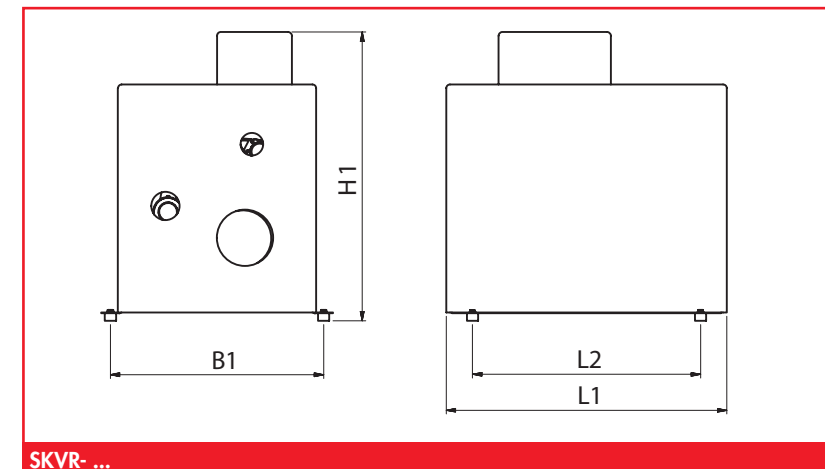
* at 50 Hz operational frequency

FEZER

Simply move more.

Blowers

Silencer box SDB



SKVR- ...

Dimensions

Type	L1	L2	B1	H1
SDB-SKVR-170	750	610	570	772
SDB-SKVR-280	750	610	570	772

FEZER

Simply move more.