

Vacuum Pumps

Oilless pumps VP-TF-24V

FEZER
Simply move more.

Description

Robust, low-maintenance and long-lasting vacuum pump working after the rotation principle. The pumps have permanently lubricated suspensions, are air-cooled and work absolutely oillessly. The pumps are designed for operation with batteries or a direct 24V supply.

Options

- additional vacuum filter
- motor protection switch, vacuum-controlled motor switch
- other voltages on request

Application

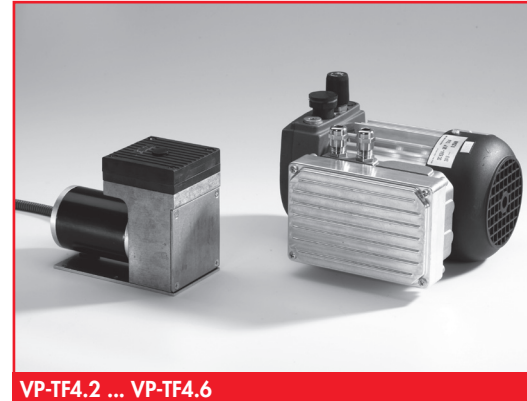
- handling of dense workpieces
- can be mounted in any position
- self-sufficient operation via batteries

Article number

Type		Additional vacuum filter*		Additional filter insert	Vacuum-controlled motor switch**
VP-TF4.2-24V-0,05kW	1.41.2.0043	VF-1/2	1.53.2.0002	2.41.2.0106	6.35.4.0291
VP-TF4.4-24V-0,17kW	1.41.2.0073	VF-1/2	1.53.2.0002	2.41.2.0106	6.35.4.0292
VP-TF4.6-24V-0,25kW	1.41.2.0066	VF-1/2	1.53.2.0002	2.41.2.0106	6.35.4.0293

* please order separately

** vacuum generator is switched on and off depending on vacuum level (energy saving module).



VP-TF4.2 ... VP-TF4.6

Vacuum Pumps

Oilless pumps VP-TF-24V

FEZER
Simply move more.

Technical data

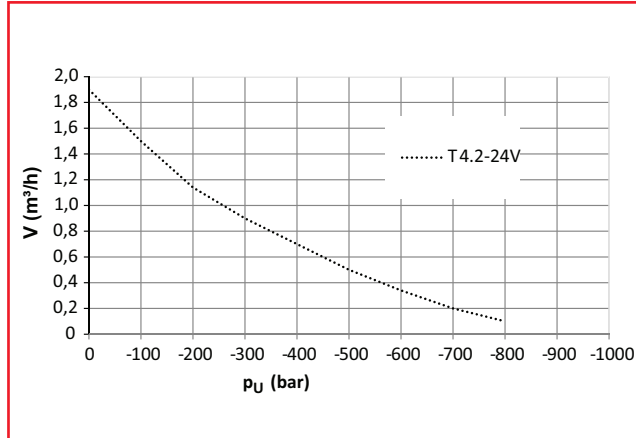
Type	Vacuum (mbar)	Suction volume		Rotation speed (1/min)	Weight (kg)	Noise level dB (A)*
		(m³/h)	(l/s)			
VP-TF4.2-24V-0,05kW	-800	2,0	0,55	1370	3,7	56
VP-TF4.4-24V-0,17kW	-850	4,1	1,14	1420	11,0	59
VP-TF4.6-24V-0,25kW	-850	6,0	1,67	1420	11,0	59

Electrical data

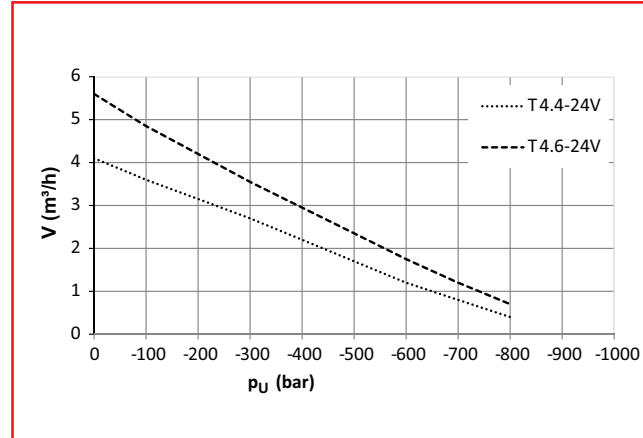
Type	Voltage (V)	Current consumption (A)	Power (kW)	Safety category
VP-TF4.2-24V-0,05kW	24	2,1	0,05	IP44
VP-TF4.4-24V-0,17kW	24	10,5	0,17	IP44
VP-TF4.6-24V-0,25kW	24	16,0	0,25	IP44

Vacuum Pumps

Oilless pumps VP-TF-24V



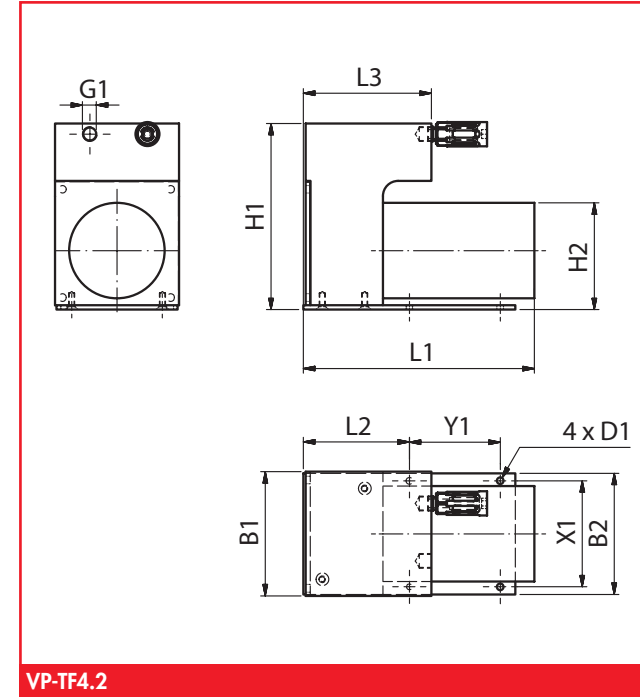
Air flow T4.2-24V in dependence to grade of evacuation



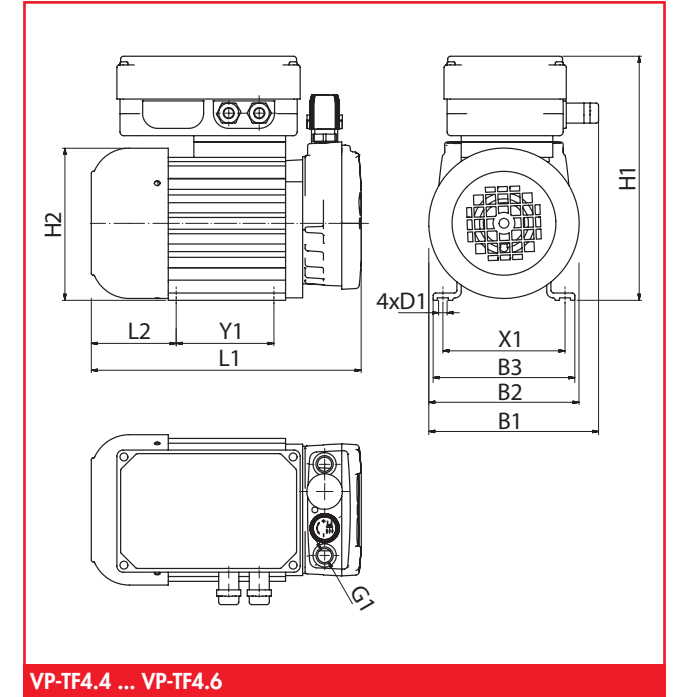
Air flow T4.4, T4.6-24V in dependence to grade of evacuation

Vacuum pumps

Oilless pumps VP-TF-24V



VP-TF4.2



VP-TF4.4 ... VP-TF4.6

Dimensions

Type	L1	L2	L3	B1	B2	B3	H1	H2	D1	G1	X1	Y1
VP-TF4.2-24V-0,05kW	152,5	70	84,5	82	80	---	123	70,5	4,5	G1/8	70	60
VP-TF4.4-24V-0,17kW	221	69,5	---	139	123	116	200	124,5	7	G1/4	100	80
VP-TF4.6-24V-0,25kW	221	69,5	---	139	123	116	200	124,5	7	G1/4	100	80