

## Electronic Vacuum Switch

with digital display VSD-1/8-I

**FEZER**  
Simply move more.

### Description

Highly precise and very robust electronic vacuum switch with Piezo-Quartz technology with stable plastic housing and display. The switch has 2 digital switching exits or 1 digital switching exit and 1 diagnosis exit an adjustable hysteresis and switching delay functions. By a mounting set the vacuum switch can be installed on a cap rail and connected to the vacuum generator by plug-in connections and a vacuum hose.

### Application

- control and adjustment of vacuum circuits
- supervision of vacuum circuits
- small design, any mounting position



VSD-1/8-I

### Article number

Type	
VSD-1/8-I-4PNP-M8	1.52.3.0034
Adapter for outer thread G1/8	6.21.5.0833
Mounting set for cap rail	1.52.3.0048

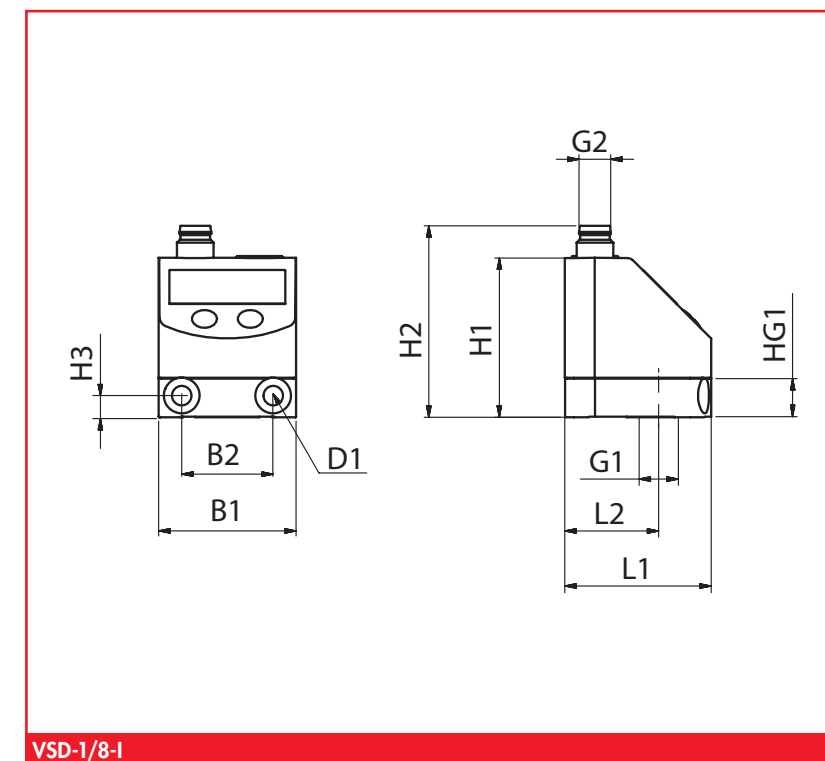
### Technical data

Type		VSD-1/8
Measure medium		dry, oilless unaggressive gases
Meas.range	(bar)	-1 ... 1
Overpressure safety	(bar)	20
Fluid connection		G1/8I
Switching exit digital	(mA/V)	2x(100/16 ... 30)
Switching logic		NO/NC adjustable
Switching range		0 ... 100% adjustable
Switching delay	(s)	0 ... 180 adjustable
Switching exit analogous	(V)	---
Hysteresis setting		0 ... 100% adjustable
Condition display		2 x LED in display
Repeat precision		+/- 0,1 %
Reaction time	(ms)	< 2,5
Voltage	(V)	18 ... 32 DC
Current consumption	(mA)	< 50
max. Current	(mA)	250
electrical Connection		Plug M8 - 4 cores
Protection class		IP40
Temperature range	(°C)	0 ... +60
Weight	(kg)	0,1

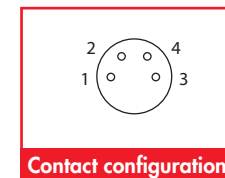
## Electronic Vacuum Switch

with digital display VSD-1/8-I

**FEZER**  
Simply move more.



VSD-1/8-I



Contact configuration

- 1 (brown) V +
- 2 (white) Switching exit 2 digital
- 3 (blue) V -
- 4 (black) Switching exit 1 digital

### Dimensions

Type	L1	L2	B1	B2	H1	H2	H3	D1	G1	G2	HG1
VSD-1/8-I	32	20,7	30	20	42	35	4,75	4,2	G1/8	M8	10