

Electronic Vacuum Switch

with digital display VSD-1/8



Description

Electronical vacuum switch with Piezo-Quarz technology in stable plastic housing and display. The switch has 2 digital switching exits and adjustable hysteresis- and switching delay function. All functions can, independant from the applied system pressure, be programmed and arrested against alteration by code. Design in oval or compact form.

Application

- control of vacuum circuits
- supervision of vacuum circuits
- small design and any mounting position



VSD-1/8 und VSDK-1/8

Article number

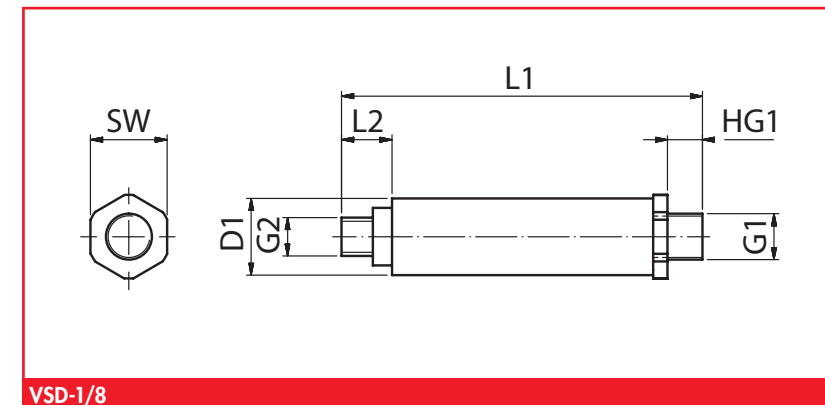
Type	
VSD-1/8-4PNP-M8	1.52.3.0028
VSDK-1/8-4PNP-M8	1.52.3.0029

Technical data

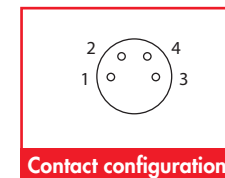
Type		VSD-1/8
Measure medium		dry, oilless unaggressive gases
Meas.range	(bar)	-1 ... 0
Overpressure safety	(bar)	5
Fluid connection		G1/8
Switching exit digital	(mA/V)	2x(250/30)
Switching logic		NO/NC adjustable
Switching range		0 ... 100% adjustable
Switching delay	(s)	0 ... 180 adjustable
Switching exit analogous	(V)	---
Hysteresis setting		0 ... 100% adjustable
Condition display		2 x LED in display
Repeat precision		+/- 0,2 %
Reaction time	(ms)	< 2,5
Voltage	(V)	10,8 ... 30 DC
Current consumption	(mA)	< 30
max. Current	(mA)	250
electrical Connection		Plug M8 - 4 cores
Protection class		IP40
Temperature range	(°C)	-10 ... +50
Weight	(kg)	0,025

Electronic Vacuum Switch

with digital display VSD-1/8

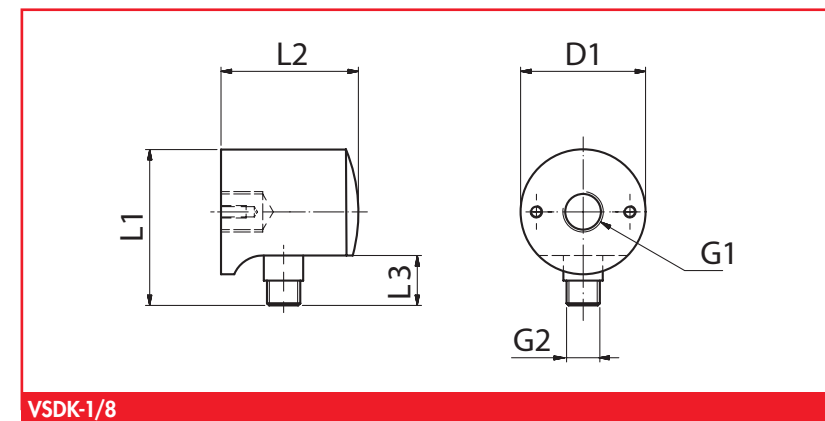


VSD-1/8



Contact configuration

- 1 (brown) V +
- 2 (white) Switching exit 2 digital
- 3 (blue) V -
- 4 (black) Switching exit 1 digital



VSDK-1/8

Dimensions

Type	L1	L2	L3	D1	G1	G2	HG1	SW
VSD-1/8	68	10,5	---	16	G1/8	M8	7,3	16
VSDK-1/8	38	33	10,5	30	G1/8	M8	---	---