

Mechanical Vacuum Switch

electro-mechanical VSM-1/4

Description

Robust, mechanical vacuum switch with membrane technology in stable aluminum housing. The switch has a preset, digital switching exit and a changeover contact and can both be used as an opener (NC) or closer (NO). The preset switching points can be adjusted if required. Supplied with connecting plug.

Application

- Supervision of vacuum circuits
- in vacuum load lifting devices
- compact design, any mounting position

Article number

Type	
VSM-1/4-0,1	1.52.1.0009
VSM-1/4-0,25	1.52.1.0011
VSM-1/4-0,35	1.52.1.0012
VSM-1/4-0,6	1.52.1.0001
VSM-1/4-0,7	1.52.1.0008
VSM-1/4-0,8	1.52.1.0002

Technical data

Type		VSM-1/4- ...
Measure medium		dry, oilless unaggressive gases
Media resistance		air, oil, petrol
Measuring range	(bar)	-1 ... 1
Overpressure safety	(bar)	10
Fluid connection		G1/4
Switching exit digital		1x
Switching logic		changeover switch NO / NC
Switching range		5 ... 95% adjustable
Switching point, preset		10%, 25%, 35%, 60%, 70%, 80%
Switching exit analogous	(V)	---
Condition display		---
Repeat precision		+/- 5 %
Reaction time	(ms)	< 400
Voltage	(V)	12 ... 250
Current consumption	(A)	---
max. current	(A)	2
Electrical connection		DIN 43650, Pg 9
Protection class		IP55
Temperature range	(°C)	-10 ... +50
Weight	(kg)	



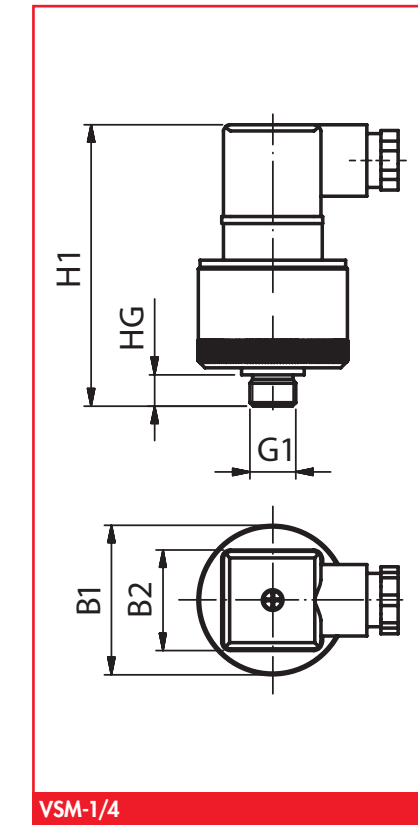
VSM-1/4

FEZER

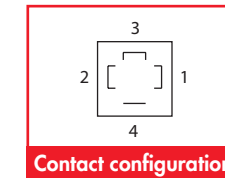
Simply move more.

Mechanical Vacuum Switch

electro-mechanical VSM-1/4



VSM-1/4



Contact configuration

- 1 Voltage entrance
- 2 Switching exit NO
- 3 Switching exit NC
- 4 PE

Dimensions

Type	B1	B2	H1	G1	HG1
VSM-1/4	45	27	84	G1/4	9

FEZER

Simply move more.