

Mechanical Vacuum Switch

electro-mechanical VSMH-1/4

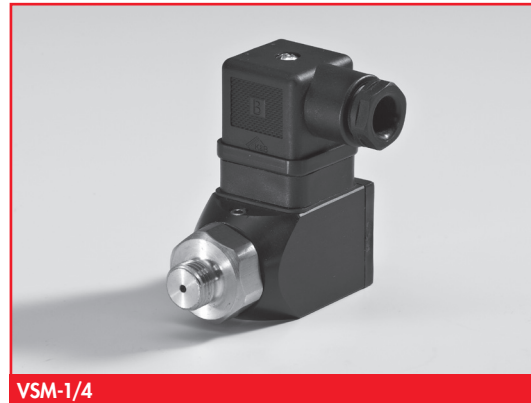
FEZER
Simply move more.

Description

Robust, mechanical vacuum switch with membrane technology in stable aluminum housing. The switch has a preset, digital switching exit and can be used both as opener (NC) or closer (NO) via a changeover contact. The preset switching points can be adjusted if required. Supplied with connection plug.

Application

- supervision of vacuum circuits
- in vacuum load lifting devices
- compact design, any mounting position



VSM-1/4

Article number

Type	
VSM-1/4-0,6	1.52.1.0010

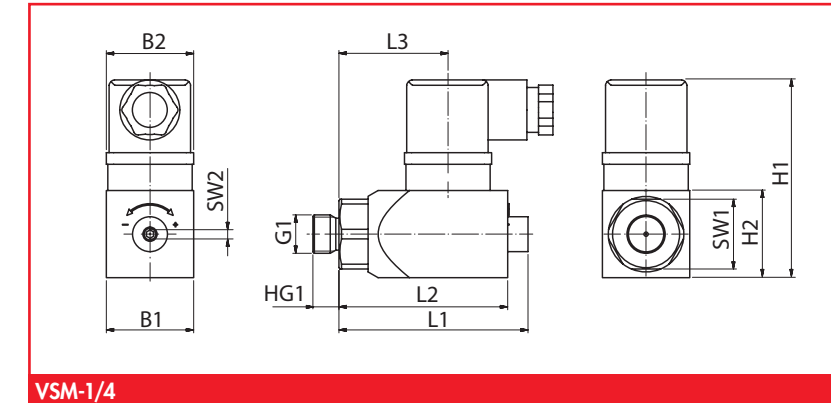
Technical data

Type		VSMH-1/4-0,6-20%
Measure medium		dry, oilless unaggressive gases
Media resistance		air, oil, petrol
Meas.range	(bar)	-1 ... 1
Overpressure safety	(bar)	10
Fluid connection		G1/4
Switching exit digital		1x
Switching logic		changeover switch NO/NC
Switching range		5 ... 95% adjustable
Switching point, preset		60%
Hysteresis		20%
Switching exit analogous	(V)	---
Condition display		---
Repeat precision		+/- 5 %
Reaction time	(ms)	< 400
Voltage	(V)	12 ... 250
Current consumption	(A)	---
max. Current	(A)	5
electrical Connection		DIN 43650, Pg 9
Protection class		IP55
Temperature range	(°C)	-20 ... 80
Weight	(kg)	

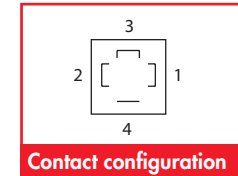
Mechanical Vacuum Switch

electro-mechanical VSM-1/4

FEZER
Simply move more.



VSM-1/4



Contact configuration

- 1 Voltage entrance
- 2 Switching exit NO
- 3 Switching exit NC
- 4 PE

Dimensions

Type	L1	L2	L3	B1	B2	H1	H2	G1	HG	SW1	SW2
VSM-1/4	65	58	37,5	30	29	84	30	G1/4	9	24	2,5