

## Electro-Pneumatic Valves

### Valve island VI

#### Description

Compact valve island with bistable vacuum valves for control of several independantly working suction circuits. The valve islands require compressed air (4 - 8 bar) and have a central vacuum connection.

The vacuum supply can be achieved by vacuum pumps or ejectors. The valve islands are controlled by a Profi-Bus-DP system and can thus be easily integrated in a higher control.

Via an internal Bus connection two valve islands can be integrated as Bus participants. The bistable valve design also guarantees adequate safety in case of a power failure as the valves keep their switch position and engaged workpieces are kept safely suspended.

#### Application

- Single control of suction pads
- control of several independantly working suction circuits
- any mounting position

#### Control

- connection of higher field bus knots or on control blocks
- standard design for Profibus-DP, 12MBd
- connection possibility of up to 32 entrances
- valve island is treated as exit module with up to 8 exits
- connection of two valve islands as „Master-Slave“ possible

#### Designs

- Basic design with fixing brackets and 8 mm plug connector
- control of 3-6 suction circuits with integrated blow-off impulse
- control of 7-8 suction circuits w/o integrated blow-off impulse. Blow-off impulse can be realised via a separate pneumatic valve

#### Accessories

To complement and connect the systems there are various accessories available.

- Entrance modules for the connection of sensors
- BUS connection cable for valve islands and entrance modules
- connection cable for entrance modules to the sensors

# FEZER

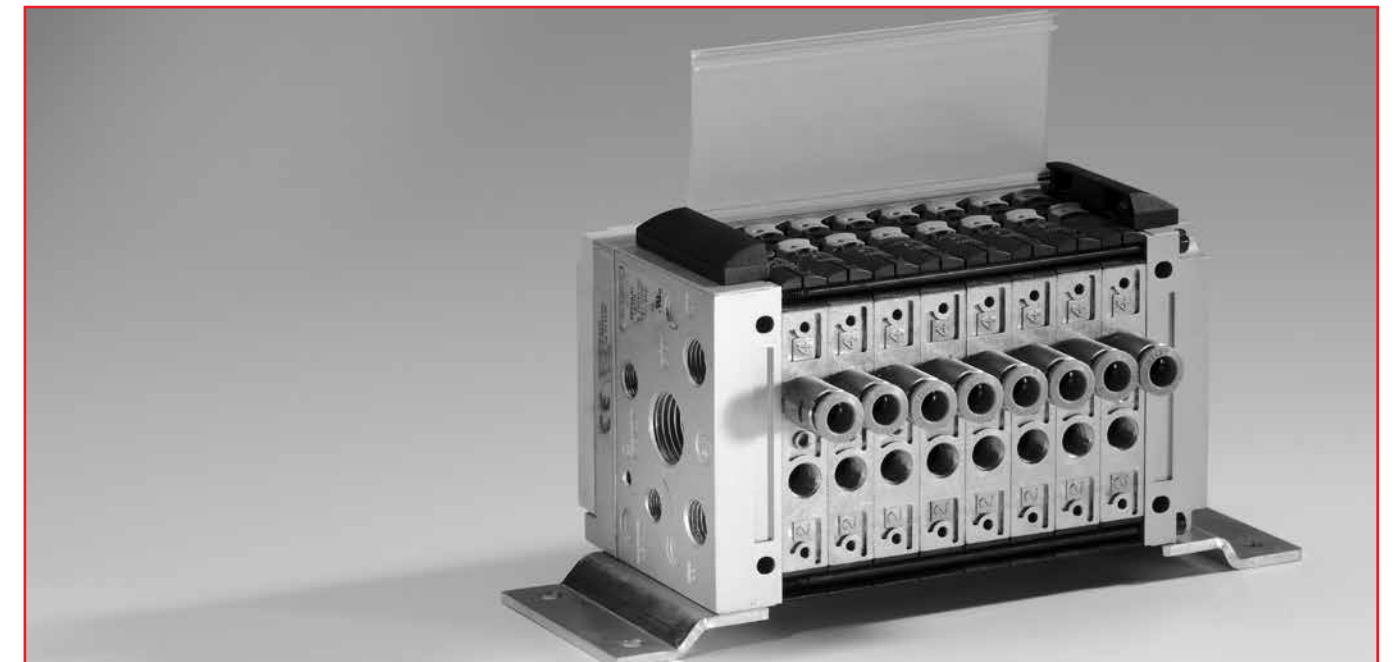
Simply move more.

## Electro-Pneumatic Valves

### Valve island VI

# FEZER

Simply move more.



VI-14-4I-1A ... VI-14-8I



Application example

# Electro-Pneumatic Valves

## Valve island VI

### Article number

Type	w/o blow-off function	with blow-off function -1A
VI-14-3I-(1A)-PROFI	1.51.3.0054	1.51.3.0011
VI-14-4I-(1A)-PROFI	1.51.3.0042	1.51.3.0019
VI-14-5I-(1A)-PROFI	1.51.3.0055	1.51.3.0053
VI-14-6I-(1A)-PROFI	1.51.3.0043	1.51.3.0012
VI-14-7I-PROFI*	1.51.3.0056	---
VI-14-8I-PROFI*	1.51.3.0007	---
VI-14-3I-(1A)-INTERN	1.51.3.0049	1.51.3.0052
VI-14-4I-(1A)-INTERN	1.51.3.0048	1.51.3.0051
VI-14-5I-(1A)-INTERN	1.51.3.0047	1.51.3.0050
VI-14-6I-(1A)-INTERN	1.51.3.0046	1.51.3.0017
VI-14-7I-INTERN*	1.51.3.0045	---
VI-14-8I-INTERN*	1.51.3.0008	---

\* blow-off function possible via separate pneumatic valve!

### Technical data

Pressure range:	(bar)	-1 ... 8
Control pressure:	(bar)	3 ... 8
Nominal width:	(mm)	6
Flow rate at vacuum (-1bar):	(m³/h)	0,6
	(l/s)	2,2
Flow rate at compressed air (6bar):	(m³/h)	1,8
	(l/s)	6,6
Switching time on:	(ms)	25
Switching time off:	(ms)	35
Temperature:	(°C)	-5 ... +50
Weight:	(kg)	0,460

### Electrical data

Operating voltage:	(V)	20,4 ... 26,4
electrical power consumption:	(W)	0,9
Safety class:		IP65
Isolation class:		H
On-time:		100%
Electrical connection:		M9

# FEZER

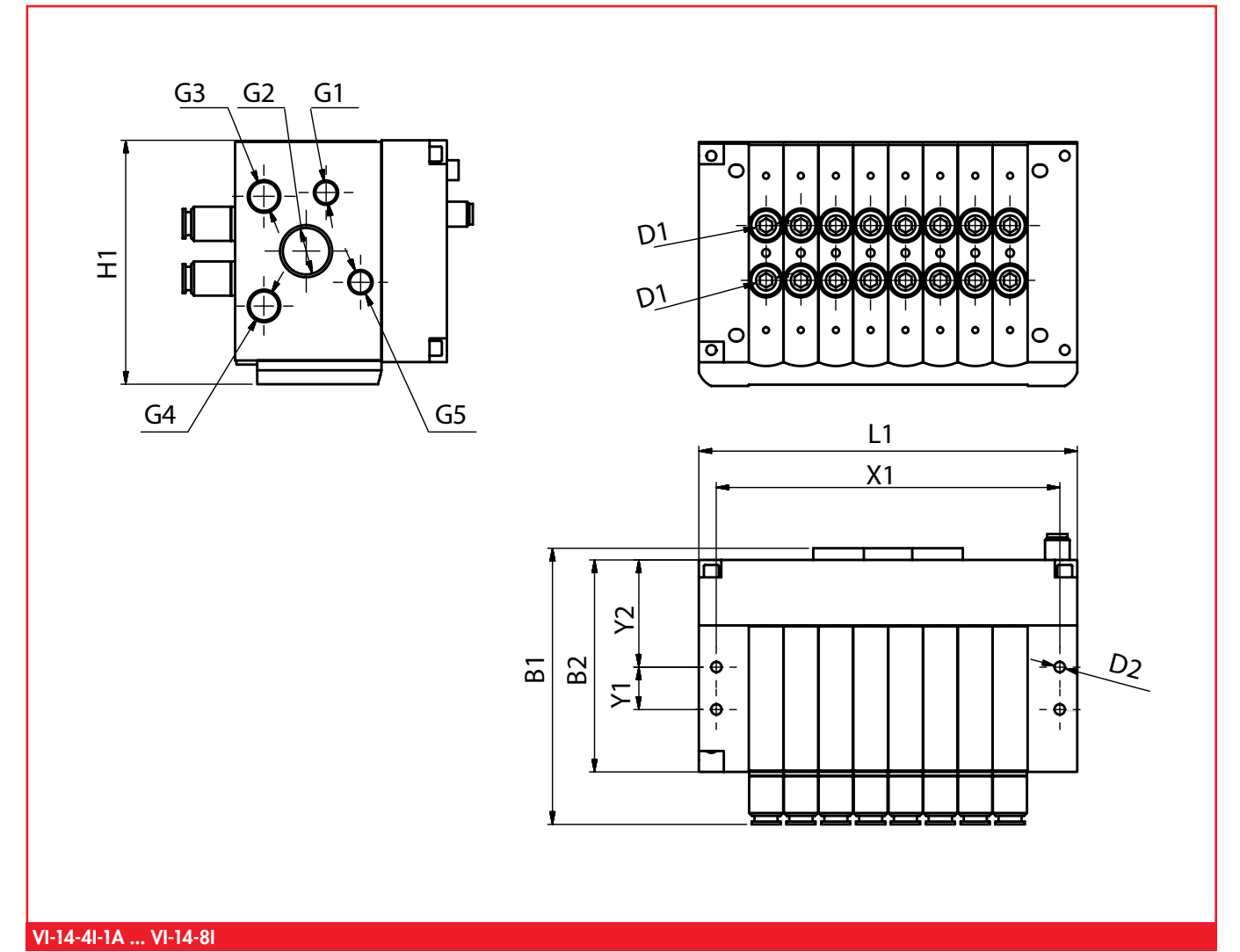
Simply move more.

# Electro-Pneumatic Valves

## Valve island VI

# FEZER

Simply move more.



### Dimensions:

Type	L1	B1	B2	H1	D1	D2	G1	G2	G3	G4	G5	X1	Y1	Y2
VI-14-4I-1A-PROFI	124	111	85	98	8	4,2	G1/8	G1/2	G1/4	G1/4	G1/8	138	17	85
VI-146I-1A-PROFI	152	111	85	98	8	4,2	G1/8	G1/2	G1/4	G1/4	G1/8	138	17	85
VI-14-8I-PROFI	152	111	85	98	8	4,2	G1/8	G1/2	G1/4	G1/4	G1/8	138	17	85
VI-14-4I-1A-INTERN	152	111	85	98	8	4,2	G1/8	G1/2	G1/4	G1/4	G1/8	138	17	85
VI-146I-1A-INTERN	152	111	85	98	8	4,2	G1/8	G1/2	G1/4	G1/4	G1/8	138	17	85
VI-14-8I-INTERN	152	111	85	98	8	4,2	G1/8	G1/2	G1/4	G1/4	G1/8	138	17	85

## Electro-Pneumatic Valves

Accessories for valve islands

### Voltage plug BSS-

Connection plug to supply the valve islands with voltage. The plugs are available with PG7- and PG9-screw connections.

### Article number

Type	
BSS-PG7	2.51.3.0014
BSS-PG9	2.51.3.0015



### Connection cable for DP-Bus VBK-DP

The cables connect the valve islands (Master/Slave) to the entrance modules on BUS systems. Up to 4 units can be connected, which can work as BUS participants.

### Article number

Type	
VBK-DP-M9B90-5P-M9S90-5P-0,5M	2.51.3.0017
VBK-DP-M9B90-5P-M9S90-5P-1M	2.51.3.0016
VBK-DP-M9B90-5P-M9S90-5P-2,5M	2.51.3.0005



# FEZER

Simply move more.

## Electro-Pneumatic Valves

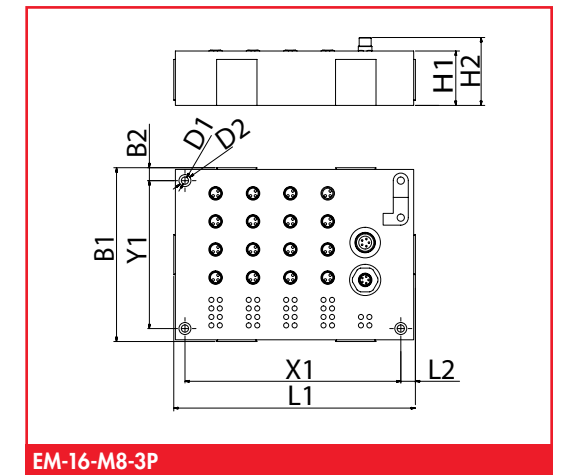
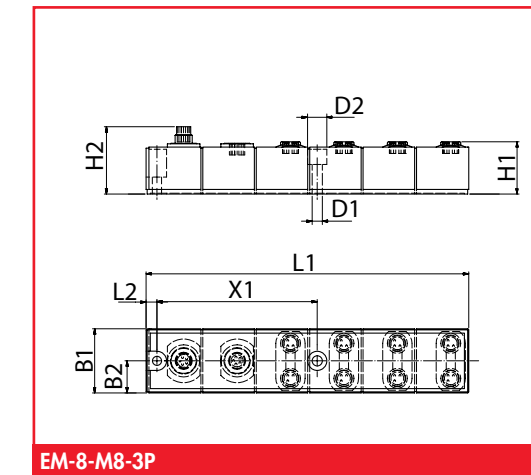
Accessories for valve islands

### Entrance module EM-

Entrance modules are used for connection of sensoric elements like vacuum switches, initiators, etc. There are two modules with 8 or 16 singly occupied entrances. Each with an M8 connection and 3 pins. The 16-entrance module has additional LED condition displays. The connection cables for the sensor technology can be found in chapter „Connection Elements“

### Entrance modules

Type	
EM-8-M8-3P	6.35.4.0280
EM-16-M8-3P-LED	6.35.4.0279



### Dimensions

Type	L1	L2	B1	B2	H1	H2	X1	Y1	D1	D2
EM-8-M8-3P	151	5,1	30	15	24,5	31,5	75	---	7	4,3
EM-16-M8-3P	142	8,5	102	7,5	32	40	127	87	7	4,3