

Measuring and Warning Units

Pneumatic warning unit EWP

FEZER
Simply move more.

Description

Pneumatic warning unit with acoustic whistle (ca. 80dB(A)) in stable plastic housing. The whistle blows when the operational vacuum is insufficient. Both the sound volume and the switching point are adjustable. With plug-in connection for hose Ø 6mm for compressed air supply and vacuum line.

Application

- reliable supervision of vacuum circuits with acoustic warning signal
- installation on manual lifters
- any mounting position



EWP

Article number

Type	
EWP-NC	6.35.4.0261
EWP-NO	6.35.4.0294

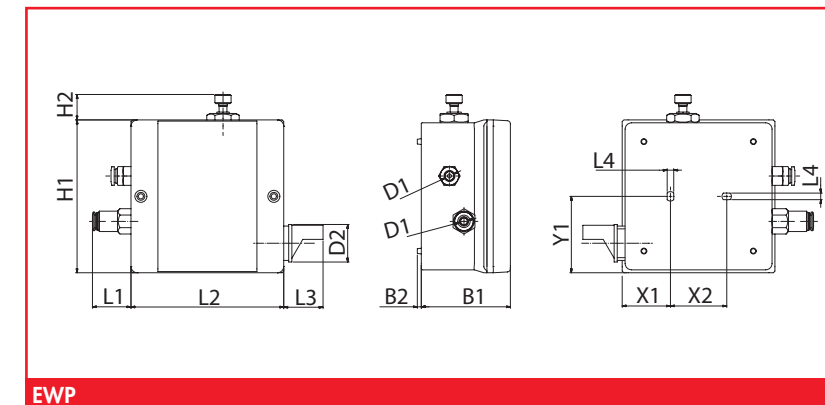
Technical data

Type		EWP-NO	EWP-NC
Measure medium		dry, oilless unaggressive gases	
Meas.range	(bar)	-1 ... 1	
Overpressure safety	(bar)	2	
Fluid connection	(mm)	6	
Switching exit digital		1xNO	1xNC
Switching range		35 ... 85% adjustable	
Hysteresis setting		0,08 ... 0,1	
Condition display		---	
Repeat precision		+/- 3 %	
Switching frequency	(1/s)	2	
Compressed air supply	(bar)	2 ... 6	
Flow	(l/min)	55	
Air consumption	(l/min)	4	
Pneumatic connection		3	
Temperature range	(°C)	0 ... 60	
Weight	(kg)	0,070	

Measuring and Warning Units

Pneumatic warning unit EWP

FEZER
Simply move more.



EWP

Dimensions

Type	L1	L2	L3	L4	B1	B2	H1	H2	D1	X1	X2	Y1
EW0	24,7	97,7	25,5	4,2	57	2,5	97,7	25	6	24	30,85	48,85