

Manually controlled Valves

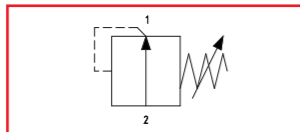
Pressure regulation valve DRV

Description

Pressure regulation valve with stable aluminum die-cast housing with manometer and rotary knob with arrest.

Application

- adjustment of required operating pressures
- supply of valves and ejectors with fixed operating pressures
- any mounting position



Switching diagram DRV



DRV-1/4 ... DRV-3/4

Article number

| Type | Article number |
|---------|----------------|
| DRV-1/8 | 1.51.2.0066 |
| DRV-1/4 | 1.51.2.0055 |
| DRV-3/8 | 1.51.2.0089 |
| DRV-1/2 | 1.51.2.0030 |
| DRV-3/4 | 1.51.2.0091 |

Technical data

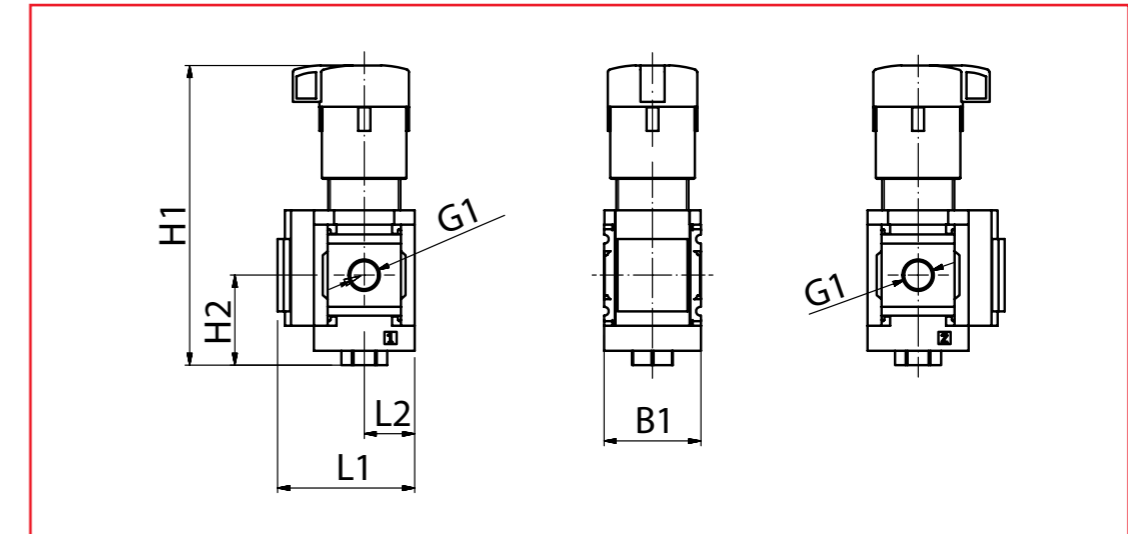
| Type | Pressure range (bar) | Flow rate (m³/h) | Flow rate (l/s) | Temperature (°C) | Weight (kg) |
|---------|----------------------|------------------|-----------------|------------------|-------------|
| DRV-1/8 | -0,5 ... +12 | 56 | 15,5 | +10 ... +60 | 0,73 |
| DRV-1/4 | -0,5 ... +12 | 102 | 28,3 | +10 ... +60 | 0,73 |
| DRV-3/8 | -0,5 ... +12 | 270 | 75 | +10 ... +60 | 0,73 |
| DRV-1/2 | -0,5 ... +12 | 330 | 62 | +10 ... +60 | 0,73 |
| DRV-3/4 | -0,5 ... +12 | 1440 | 400 | +10 ... +60 | 1,40 |

FEZER

Simply move more.

Manually controlled Valves

Pressure regulation valve DRV



DRV-1/4 ... DRV-3/4

Dimensions

| Type | L1 | L2 | B1 | H1 | H2 | G1 |
|---------|-----|----|----|-----|----|------|
| DRV-1/8 | 77 | 31 | 67 | 188 | 54 | G1/8 |
| DRV-1/4 | 77 | 31 | 67 | 188 | 54 | G1/4 |
| DRV-3/8 | 77 | 31 | 67 | 188 | 54 | G3/8 |
| DRV-1/2 | 77 | 31 | 67 | 188 | 54 | G1/2 |
| DRV-3/4 | 109 | 45 | 90 | 225 | 58 | G3/4 |

FEZER

Simply move more.