

Manually controlled Valves

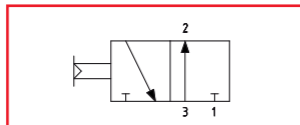
3/2-ways handslide valve HSV

Description

3/2-ways valve for manually-operated valves with two positions for „suction“ and „release“. The design SK is equipped with a safety button which prevents the valves from accidental operation.

Application

- vacuum control on manual lifters
- single control of suction plates
- any mounting position



Switching diagram HSV



HSV 1/4 ... HSV-3/4-SK

FEZER

Simply move more.

Article number

Type	
HSV-3/2-1/4	1.51.1.0004
HSV-3/2-3/8	1.51.1.0007
HSV-3/2-1/2	1.51.1.0002
HSV-3/2-1/2-SK*	1.51.1.0024
HSV-3/2-3/4	1.51.1.0005
HSV-3/2-3/4-SK*	1.51.1.0025

* Design with safety button

Technical data

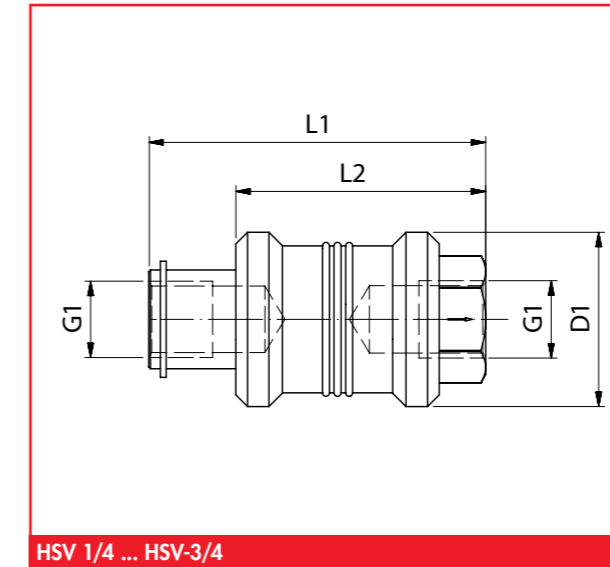
Type	Pressure range (bar)	Nominal width (mm)	Flow rate		Temperature (°C)	Weight (kg)
			(m³/h)	(l/s)		
HSV-3/2-1/4	-1 ... 0	9	12	3,3	-10 ... +60	0,05
HSV-3/2-3/8	-1 ... 0	13	21	5,8	-10 ... +60	0,07
HSV-3/2-1/2	-1 ... 0	19	33	9,2	-10 ... +60	0,07
HSV-3/2-1/2-SK	-1 ... 0	16	29	8,1	-10 ... +60	0,07
HSV-3/2-3/4	-1 ... 0	26	59	16,4	-10 ... +60	0,12
HSV-3/2-3/4-SK	-1 ... 0	23	53	14,7	-10 ... +60	0,12

Manually controlled Valves

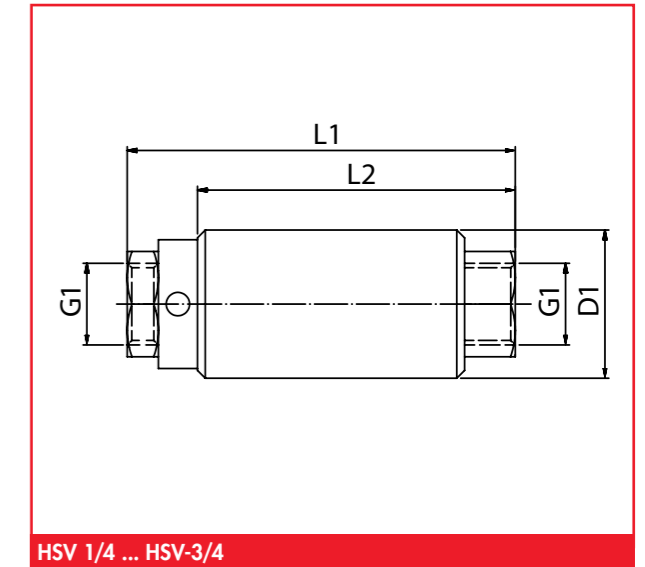
3/2-ways handslide valve HSV

FEZER

Simply move more.



HSV 1/4 ... HSV-3/4



HSV 1/4 ... HSV-3/4

Dimensions

Type	L1	L2	D1	G1
HSV-3/2-1/4	58	43	30	G1/4
HSV-3/2-3/8	70	52	35	G3/8
HSV-3/2-1/2	80	59	40	G1/2
HSV-3/2-1/2-SK	100	73	38	G1/2
HSV-3/2-3/4	100	70	50	G3/4
HSV-3/2-3/4-SK	125	85	52	G3/4