

# Solenoid Valves

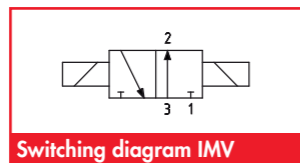
## 3/2-ways impulse valve IMV

### Description

Robust 3/2-ways valve, directly controlled in bistable design (with permanent magnet). The valves are only controlled via a current impulse and keep their position in case of a sudden power failure.

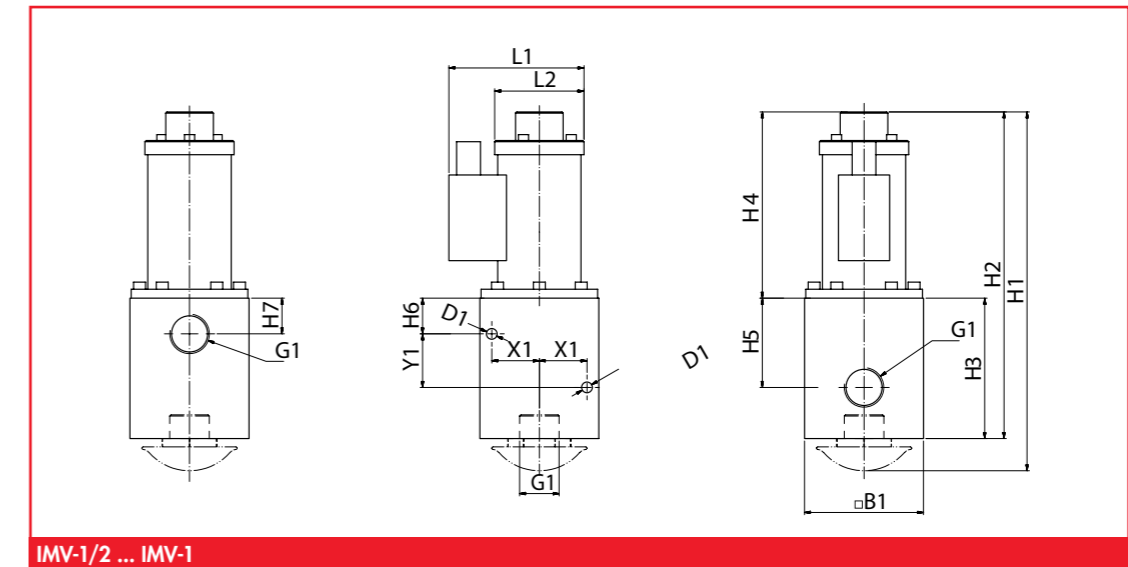
### Application

- „suction“ and „release“ control for several, different suction circuits
- any mounting position
- separate blow-off impulse with max.2 bar overpressure



# Solenoid Valves

## 3/2-ways impulse valve IMV



### Dimensions

Type	L1	L2	B1	H1	H2	H3	H4	H5	H6	H7	D1	G1	X1	Y1
IMV-3/2-R1/2-24V	52	40	60	181	142	65	77	16,5	15	20	6,5	G1/2	20	25
IMV-3/2-R3/4-24V	106	40	100	315	273	118	155	43	30	41	9	G3/4	40	45
IMV-3/2-R3/4-230V	106	40	100	315	273	118	155	43	30	41	9	G3/4	40	45
IMV-3/2-R1-24V	113	75	100	315	273	118	155	43	30	41	9	G1	40	45
IMV-3/2-R1-230V	113	75	100	315	273	118	155	43	30	41	9	G1	40	45

### Connections and control

Type	Hose connections			electrical control for „suction“ - „release“				
	1	2	3	Function:	Terminal 1	Terminal 2	Terminal 3	Description
IMV-3/2-R1/2	Ventilat.	Suction Pad	Vacuum	Suction:	-	+	-	negative switching
				Release:		+	-	
IMV-3/2-R3/4	Ventilat.	Suction Pad	Vacuum	Suction:	+	-	-	polarity reversal
				Release:	-		+	
IMV-3/2-R1	Ventilat.	Suction Pad	Vacuum	Suction:	+	-	-	polarity reversal
				Release:	-		+	

### Article number

Type	Valve	Valve complete *	Replacement plug	Suitable ventilation filter		Suitable vacuum filter	
IMV-3/2-R1/2-24V	1.51.2.0047	1.51.2.0048	2.51.2.0015	BFS-1/2	1.53.1.0014	VF-1/2	1.53.2.0002
IMV-3/2-R3/4-24V	1.51.2.0036	1.51.2.0035	---	BFS-3/4	1.53.1.0015	VF-3/4	1.53.2.0006
IMV-3/2-R3/4-230V	1.51.2.0058	1.51.2.0057	---	BFS-3/4	1.53.1.0015	VF-3/4	1.53.2.0006
IMV-3/2-R1-24V	1.51.2.0034	1.51.2.0033	---	BFS-1	1.53.1.0016	VF-11/4	1.53.2.0003
IMV-3/2-R1/4-230V	1.51.2.0060	1.51.2.0032	---	BFS-1	1.53.1.0016	VF-11/4	1.53.2.0003

\* incl. ventilation filter and 2 hose nipples

### Technical data

Type	Pressure range (bar)	Nominal width (mm)	Flow rate		Switch.cycles (1/min)	Switching time (ms)	Temperature (°C)	Weight (kg)
			(m³/h)	(l/s)				
IMV-3/2-R1/2-24V	-1 ... +1	10	36	10,0	30	30	0 ... +45	1,0
IMV-3/2-R3/4-24V	-1 ... +1	20	70	19,4	20	45	0 ... +45	5,6
IMV-3/2-R3/4-230V	-1 ... +1	20	70	19,4	20	45	0 ... +45	5,6
IMV-3/2-R1-24V	-1 ... +1	25	73	20,3	20	45	0 ... +45	5,4
IMV-3/2-R1-230V	-1 ... +1	25	73	20,3	20	45	0 ... +45	5,4

### Electrical data

Type	Voltage (V)	Current consump. (A)	Safety class	Isolation class	On-time	Connection
IMV-3/2-R1/2-24V	24	1,20	IP43	E	40 %	DIN 43650, Form A
IMV-3/2-R3/4-24V	24	4,50	IP43	E	40 %	Terminal box
IMV-3/2-R3/4-230V	230, 50Hz	0,47	IP43	E	40 %	Terminal box
IMV-3/2-R1-24V	24	4,50	IP43	E	40 %	Terminal box
IMV-3/2-R1-230V	230, 50Hz	0,47	IP43	E	40 %	Terminal box

1. Basics  
2. Suction Pads  
3. Mounting Elements  
4. Vacuum Generators  
5. Valve Technology  
6. Vacuum Supervision  
7. Filter Elements  
8. Connection Elements  
9. System Technology

1. Basics  
2. Suction Pads  
3. Mounting Elements  
4. Vacuum Generators  
5. Valve Technology  
6. Vacuum Supervision  
7. Filter Elements  
8. Connection Elements  
9. System Technology