

Manually controlled Valves

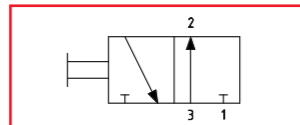
3/2-ways ball valve KV

Description

3/2-ways valve as ball valve in robust grey die-cast design with hand lever. For the ventilation channel appropriate ventilation filters are available.

Application

- manual switching on and off of individual suction pads
- additional ventilation channels
- any mounting position



Switching diagram KV



KV-2/2-1/4 - KV-2/2-1

Article number

Type		Replacement lever	suitable ventilation filter	
KV-3/2-1/2	1.51.1.0018	2.51.1.0004	BFS-R1/2	1.53.1.0014
KV-3/2-3/4	1.51.1.0021	2.51.1.0005	BFS-R3/4	1.53.1.0015
KV-3/2-1	1.51.1.0016	2.51.1.0003	BFS-R1	1.53.1.0016
KV-3/2-11/4	1.51.1.0020	2.51.1.0020	BF-R11/4	1.53.1.0007

Technical data

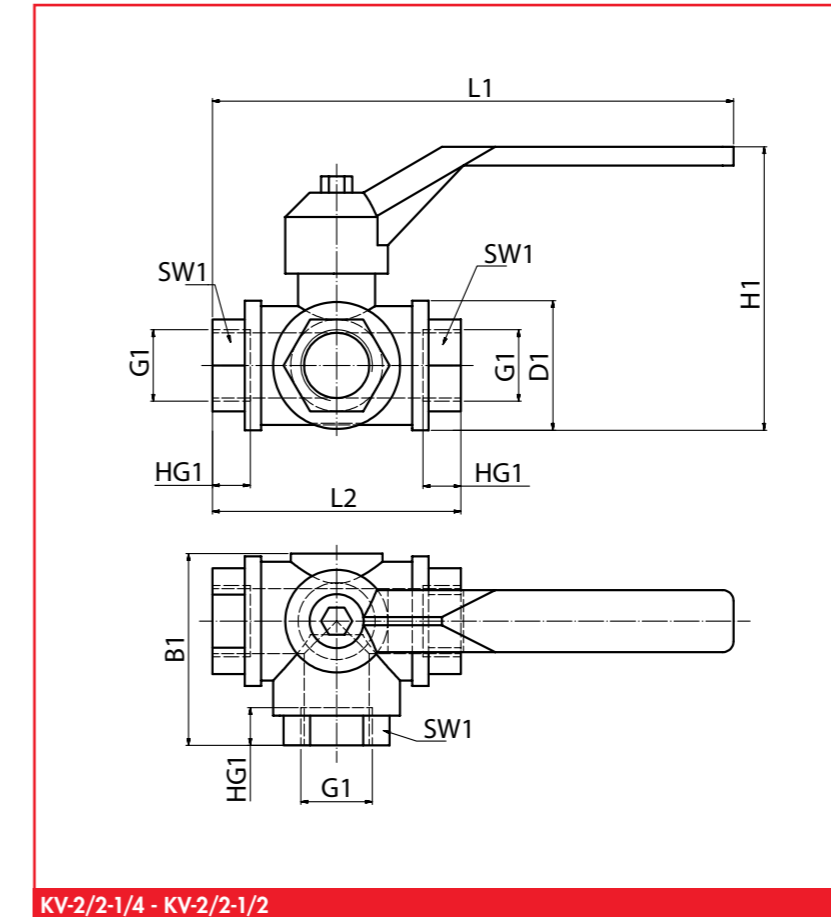
Type	Pressure range (bar)	Nominal width (mm)	Flow rate		Temperature (°C)	Weight (kg)
			(m³/h)	(l/s)		
KV-3/2-1/2	-1 ... 0	19	60	16,6	0 ... +60	0,75
KV-3/2-3/4	-1 ... 0	24	110	30,6	0 ... +60	1,25
KV-3/2-1	-1 ... 0	30	150	41,7	0 ... +60	1,90
KV-3/2-11/4	-1 ... 0	36	180	50,0	0 ... +60	2,25

FEZER

Simply move more.

Manually controlled Valves

3/2-ways ball valve KV



KV-2/2-1/4 - KV-2/2-1/2

Dimensions

Type	L1	L2	B1	H1	D1	G1	HG1	SW1
KV-3/2-1/2	166	78	60	89	39	G1/2	19	27
KV-3/2-3/4	193	92	70	105	47	G3/4	23	34
KV-3/2-1	224	105	81	125	55	G1	25	41
KV-3/2-11/4	228	120	92	137	65	G11/4	28	50

FEZER

Simply move more.