

Automatic Valves

Flow valves SV

Description

Robust flow valve in galvanized steel design. When a pad is not occupied the ball inside the valve closes automatically and prevents a decrease of the vacuum. The valves are available in 3 assembly designs.

- on suspension bolt
- on suction plate retainers with central vacuum feed
- on suction pad with basic body and separate vacuum feed (required adapter ASV-M12 or M16)

Application

- on different grades of occupancy of the suction pads (workpieces with changing dimensions)
- any mounting position



Switching diagram SV



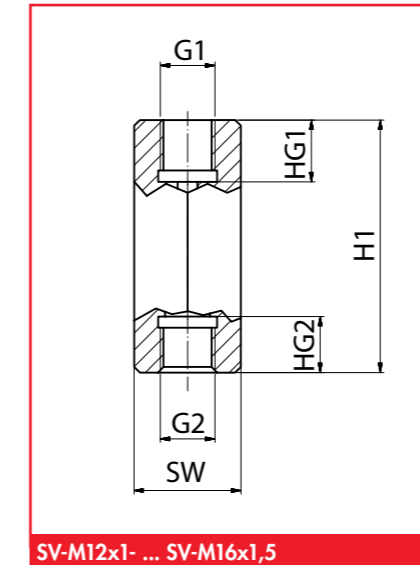
SV-M12x1-1/8 ... SV-M16

FEZER

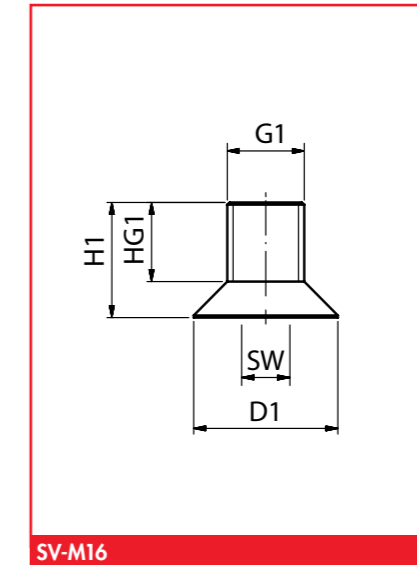
Simply move more.

Automatic Valves

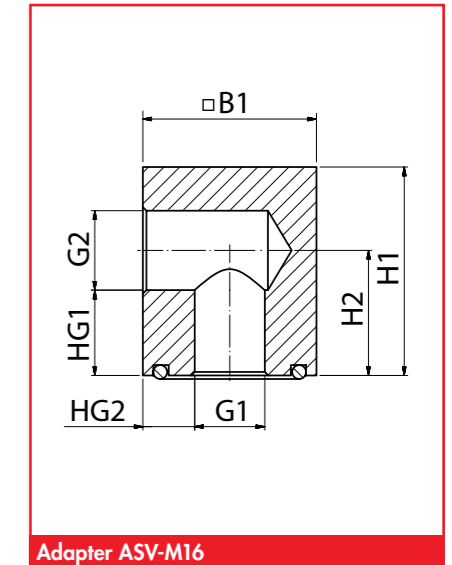
Flow valves SV



SV-M12x1- ... SV-M16x1,5



SV-M16



Adapter ASV-M16

FEZER

Simply move more.

Article number

Type		Adapter ASV- ...
SV-M12x1-1/8	1.51.6.0053	---
SV-M12x1-1/4	1.51.6.0061	---
SV-M12x1-3/8	1.51.6.0054	---
SV-M16x1,5-1/4	1.51.6.0062	---
SV-M16x1,5-3/8	1.51.6.0102	---
SV-M16	1.51.6.0059	1.31.3.0023

Technical data

Type	Pressure range (bar)	Suction power* at pB = -0,6 bar		Suction power* at pB = -0,3 bar		Flow rate on ventilation**		Temperature (°C)	Weight (kg)
		(m³/h)	(l/s)	(m³/h)	(l/s)	(m³/h)	(l/s)		
SV-M12x1-1/8	-1 ... -0,3	1,5	0,41	2,0	0,55	15	4,16	0 ... +60	0,09
SV-M12x1-1/4	-1 ... -0,3	2,0	0,55	2,5	0,69	15	4,16	0 ... +60	0,09
SV-M12x1-3/8	-1 ... -0,3	2,5	0,69	3,0	0,83	20	5,55	0 ... +60	0,08
SV-M16x1,5-1/4	-1 ... -0,3	4,0	1,11	4,5	1,25	20	5,55	0 ... +60	0,08
SV-M16x1,5-3/8	-1 ... -0,3	4,0	1,11	4,5	1,25	20	5,55	0 ... +60	0,07
SV-M16	-1 ... -0,3	4,5	1,25	5,5	1,52	20	5,55	0 ... +60	0,04

* required suction power to close the flow valve

** against atmospheric pressure

Dimensions

Type	H1	H2	B1	D1	G1	G2	HG1	HG2	SW
SV-M12x1-1/8	45	---	---	---	M12x1	G1/8	11	10	19
SV-M12x1-1/4	45	---	---	---	M12x1	G1/4	11	10	19
SV-M12x1-3/8	45	---	---	---	M12x1	G3/8	11	10	19
SV-M16x1,5-1/4	45	---	---	---	M16x1,5	G1/4	11	10	19
SV-M16x1,5-3/8	45	---	---	---	M16x1,5	G3/8	11	10	19
SV-M16	24	---	---	33	M16	---	16,5	---	10
ASV-M16	30	18	25	---	M16	3/8	11	5	---