

## Solenoid Valves

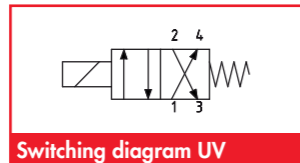
### 4/2-ways reversing valve UV

#### Description

Robust 4/2-ways valve, directly controlled with spring return. The reversing valves are designed for vacuum blowers. The valves generally in NO design (currentless open), which keeps the valve in the „suction“ position in case of a sudden power failure. Delivery with electrical connection plug.

#### Application

- „suction“ and „release“ control on applications with blowers
- applications that require a high flow rate
- any mounting position



Switching diagram UV



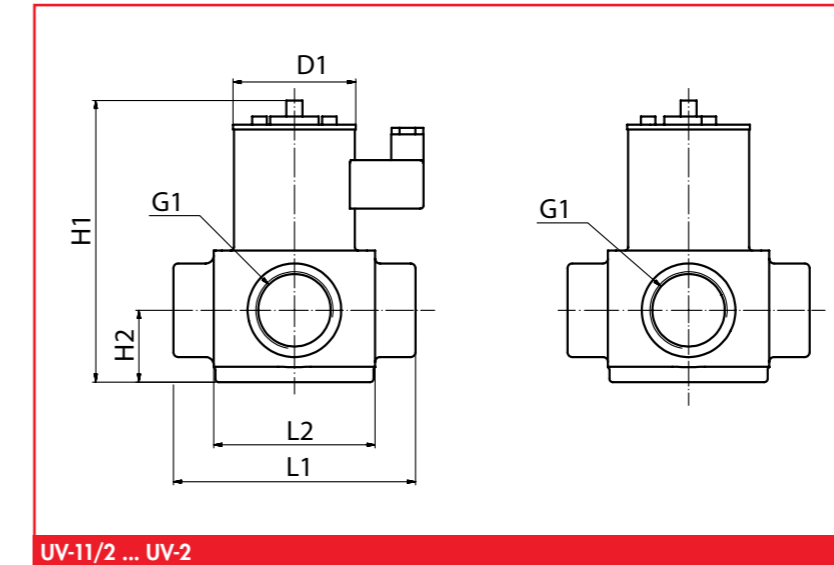
UV-11/2 ... UV-2

**FEZER**

Simply move more.

## Solenoid Valves

### 4/2-ways reversing valve UV



UV-11/2 ... UV-2

**FEZER**

Simply move more.

#### Article number

Type	Valve	Replacement connection plug	suitable ventilation filter		suitable vacuum filter	
UV-R11/2-24V	1.51.2.0039	2.51.2.0015	BF-11/2	1.53.1.0010	VF-11/4B	1.53.2.0004
UV-R11/2-230V	1.51.2.0038	2.51.2.0014	BF-11/2	1.53.1.0010	VF-11/4B	1.53.2.0004
UV-R2-24V	1.51.2.0069	2.51.2.0015	BF-11/2	1.53.1.0010	VF-21/2	1.53.2.0005
UV-R2-230V	1.51.2.0070	2.51.2.0014	BF-11/2	1.53.1.0010	VF-21/2	1.53.2.0005

#### Technical data

Type	Pressure range (bar)	Nominal width (mm)	Flow rate		Switch.cycles (1/min)	Switching time (ms)	Temperature (°C)	Weight (kg)
			(m³/h)	(l/s)				
UV-R11/2-24V	-0,5 ... +0,5	45	360	100	120	90	0 ... +45	4,0
UV-R11/2-230V	-0,5 ... +0,5	45	360	100	120	90	0 ... +45	4,0
UV-R2-24V	-0,5 ... +0,5	57	420	116	100	110	0 ... +45	6,0
UV-R2-230V	-0,5 ... +0,5	57	420	116	100	110	0 ... +45	6,0

#### Electrical data

Type	Voltage (v)	Current consump. (A)	Safety class	Isolation class	On-time	Connection
UV-R11/2-24V	24	1,55	IP55	F	100%	DIN 43650, Form A
UV-R11/2-230V	230, 50Hz	0,19	IP55	F	100%	DIN 43650, Form A
UV-R2-24V	24	1,70	IP55	F	100%	DIN 43650, Form A
UV-R2-230V	230, 50 Hz	0,23	IP55	F	100%	DIN 43650, Form A

#### Dimensions

Type	L1	L2	H1	H2	D1	G1
UV-R11/2-24V	150	100	174,5	44,5	76	G11/2
UV-R11/2-230V	150	100	174,5	44,5	76	G11/2
UV-R2-24V	150	100	240,5	62,5	102	G2
UV-R2-230V	150	100	240,5	62,5	102	G2

#### Connections and control

Type	Hose connections				electrical control for „suction“ - „release“				
	1	2	3	4	Function:	Terminal 1	Terminal 2	Terminal 3	Description
UV-R11/2	Suct. side	Ventilation	Press. side	Suction Pad	Suction:	+	-		negative switching
	Blower		Blower		Release:		-		
UV-R2	Suct. side	Ventilation	Press. side	Suction Pad	Suction:	+	-		negative switching
	Blower		Blower		Release:		-		