

Manually controlled Valves

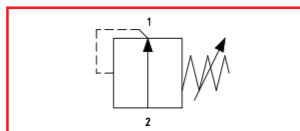
Vacuum regulation valves VRV

Description

Robust regulation valve in brass design with adjustment screw. This valve allows to adjust the vacuum level independent of the used vacuum generator.

Application

- adjustment of pressure variations
- applications with different vacuum levels
- steplessly adjustable
- any mounting position



Switching diagram VRV



VRV-1/2 - VRV-3/4

Article number

Type	Article number
VRV-1/2	1.51.7.0001
VRV-3/4	1.51.7.0002

Technical data

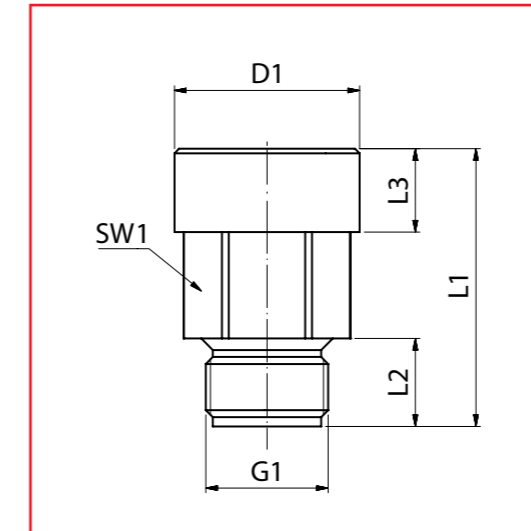
Type	Range (bar)	Exactness (%)	Nominal width (mm)	Flow rate		Temperature (°C)	Weight (kg)
				(m³/h)	(l/s)		
VRV-1/2	-0,98 ... 0	+/- 2,5	18	8	2,2	0 ... +60	0,12
VRV-3/4	-0,98 ... 0	+/- 2,5	24	18	5,0	0 ... +60	0,21

FEZER

Simply move more.

Manually controlled Valves

Vacuum regulation valves VRV



VRV-1/2 - VRV-3/4

Dimensions

Type	L1	L2	L3	D1	G1	SW1
VRV-1/2	51	18	16	30	G1/2	27
VRV-3/4	54	18	16	40	G3/4	32

FEZER

Simply move more.