

## Distribution Elements



### Revolving vacuum feeder DVZ

#### Description

Very robust revolving vacuum feeder in steel design with high-quality ball bearings for medium and high revolution speeds. Design DVZ-1/4-4 with 4 exits on the outlet side.

#### Application:

- vacuum feed on highly rotating machine parts



DVZ-1/4-4 ... DVZ-1

#### Article number

Type	Article number
DVZ-1/4-4-300	1.54.2.0079
DVZ-3/8-4-300	1.54.2.0058
DVZ-1/4-250	1.54.2.0005
DVZ-1/4-3500	1.54.2.0001
DVZ-1/2-250	1.54.2.0006
DVZ-1/2-3500	1.54.2.0003
DVZ-3/4-3500	1.54.2.0009
DVZ-1-3000	1.54.2.0007

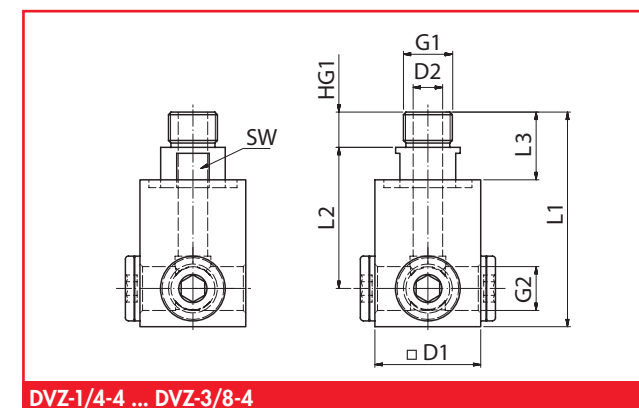
#### Technical data

Type	Pressure range (bar)	max. Rev.speed (1/min)	Airflow (m³/h)	Airflow (l/s)	Temperature (°C)	Weight (kg)
DVZ-1/4-4-300	-1 ... +10	300	25	6,9	-10 ... +60	0,27
DVZ-3/8-4-300	-1 ... +10	300	30	8,3	-10 ... +60	0,29
DVZ-1/4-250	-1 ... +1	250	26	7,2	+5 ... +120	0,30
DVZ-1/4-3500	-1 ... +1	3500	26	7,2	+5 ... +120	0,40
DVZ-1/2-250	-1 ... +1	250	48	13,3	+5 ... +120	1,20
DVZ-1/2-3500	-1 ... +1	3500	48	13,3	+5 ... +120	0,70
DVZ-3/4-3500	-1 ... +1	3500	68	18,9	+5 ... +120	1,60
DVZ-1-3000	-1 ... +1	3000	86	23,9	+5 ... +120	2,10

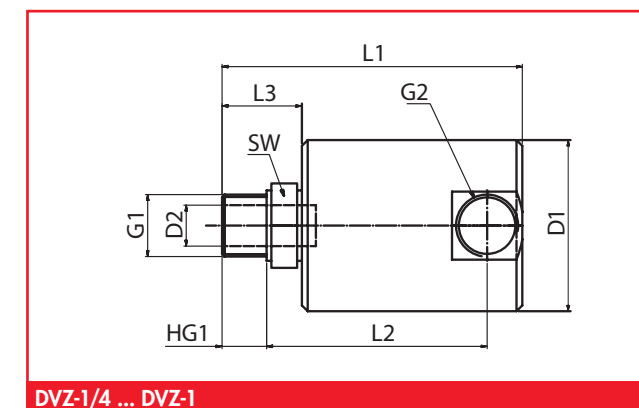
## Distribution Elements



### Revolving vacuum feeder DVZ



DVZ-1/4-4 ... DVZ-3/8-4



DVZ-1/4 ... DVZ-1

#### Dimensions

Type	D1	D2	L1	L2	L3	G1	G2	HG1	SW
DVZ-1/4-300-4	36	8	70,5	45,5	20,5	G1/4	G1/4	12	17
DVZ-3/8-300-4	36	10	73	48	23	G3/8	G3/8	12	19
DVZ-1/4-250	38	8	83,3	40	28,5	G3/8	G1/4	16	22
DVZ-1/2-250	70	16	116	59	38	G3/4	G1/2	19	36
DVZ-1/4-3500	41,2	6,4	81	60	29	G1/4	G1/4	11,5	22
DVZ-1/2-3500	57,1	12,7	113	78	34	G1/2	G1/2	17,5	30
DVZ-3/4-3500	73	17,5	128	94	34	G3/4	G3/4	19	36
DVZ-1-3000	82,6	22,2	150	108	42	G 1	G1	22	36