

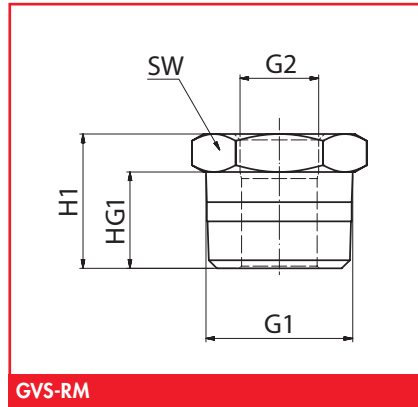
Connections

Thread union reduction bushing, GVS-RM

FEZER
Simply move more.



GVS-RM



GVS-RM

Article number

Type		Weight (kg)
GVS-RM-1/4A-1/8I	6.21.5.0634	0,010
GVS-RM-3/8A-1/8I	6.21.5.0854	0,015
GVS-RM-3/8A-1/4I	6.21.5.0662	0,030
GVS-RM-1/2A-1/8I	6.21.5.0855	0,015
GVS-RM-1/2A-1/4I	6.21.5.0629	0,030
GVS-RM-1/2A-3/8I	6.21.5.0856	0,020

Dimensions

Type	H1	G1	G2	HG1	SW
GVS-RM-1/4A-1/8I	16	R1/4	R1/8	11	16
GVS-RM-3/8A-1/8I	16,5	R3/8	R1/8	11,5	17
GVS-RM-3/8A-1/4I	16,5	R3/8	R1/4	11,5	17
GVS-RM-1/2A-1/8I	19,5	R1/2	R1/8	14	22
GVS-RM-1/2A-1/4I	19,5	R1/2	R1/4	14	22
GVS-RM-1/2A-3/8I	19,5	R1/2	R3/8	14	22

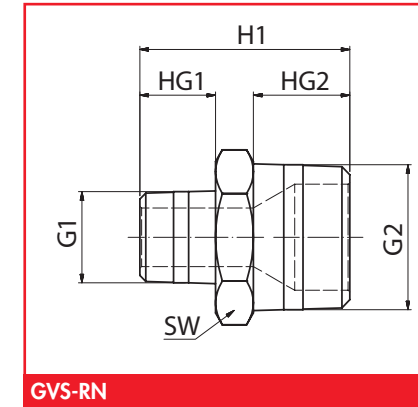
Connections

Thread union reduction nipple, GVS-RN

FEZER
Simply move more.



GVS-RN



GVS-RN

Article number

Type		Weight (kg)
GVS-RN-1/8-1/4	6.21.5.0841	0,015
GVS-RN-1/8-3/8	6.21.5.0686	0,019
GVS-RN-1/4-3/8	6.21.5.0842	0,020
GVS-RN-1/4-1/2	6.21.5.0682	0,032
GVS-RN-3/8-1/2	6.21.5.0843	0,034

Dimensions

Type	H1	G1	G2	HG1	HG2	SW
GVS-RN-1/8-1/4	23,5	R1/8	R1/4	7,5	11	14
GVS-RN-1/8-3/8	24	R1/8	R3/8	7,5	11,5	17
GVS-RN-1/4-3/8	27,5	R1/4	R3/8	11	11,5	17
GVS-RN-1/4-1/2	30,5	R1/4	R1/2	11	14	22
GVS-RN-3/8-1/2	31	R3/8	R1/2	11,5	14	22