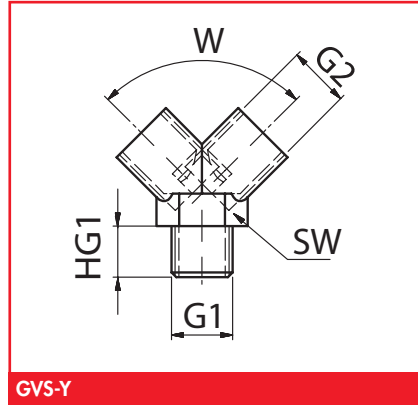


Connections

Thread union in Y form, GVS-Y



GVS-Y



GVS-Y

Article number

Type		Weight (kg)
GVS-Y-1/8I-1/8A-1/8I	6.21.5.0837	0,020
GVS-Y-1/4I-1/4A-1/4I	6.21.5.0434	0,040
GVS-Y-3/8I-3/8A-3/8I	6.21.5.0838	0,050
GVS-Y-1/2I-1/2A-1/2I	6.21.5.0617	0,100

Dimensions

Type	G1	G2	HG1	W	SW
GVS-Y-1/8I	G1/8	G1/8	8	90°	13
GVS-Y-1/4I	G1/4	G1/4	11	90°	17
GVS-Y-3/8I	G3/8	G3/8	11,5	90°	20
GVS-Y-1/2I	G1/2	G1/2	14	90°	25

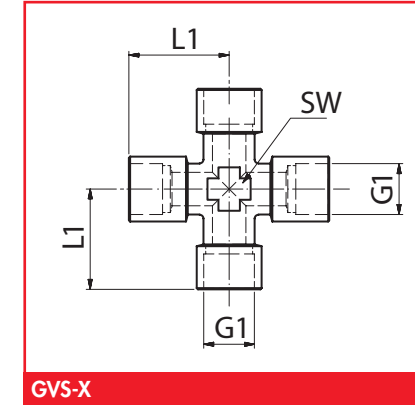
FEZER
Simply move more.

Connections

Thread union in X form, GVS-X



GVS-X



GVS-X

Article number

Type		Weight (kg)
GVS-X-1/8I	6.21.5.0839	0,030
GVS-X-1/4I	6.21.5.0411	0,050
GVS-X-3/8I	6.21.5.0840	0,070

Dimensions

Type	L1	G1	SW
GVS-X-1/8I	19	G1/8	12
GVS-X-1/4I	23	G1/4	14
GVS-X-3/8I	25	G3/8	16

FEZER
Simply move more.